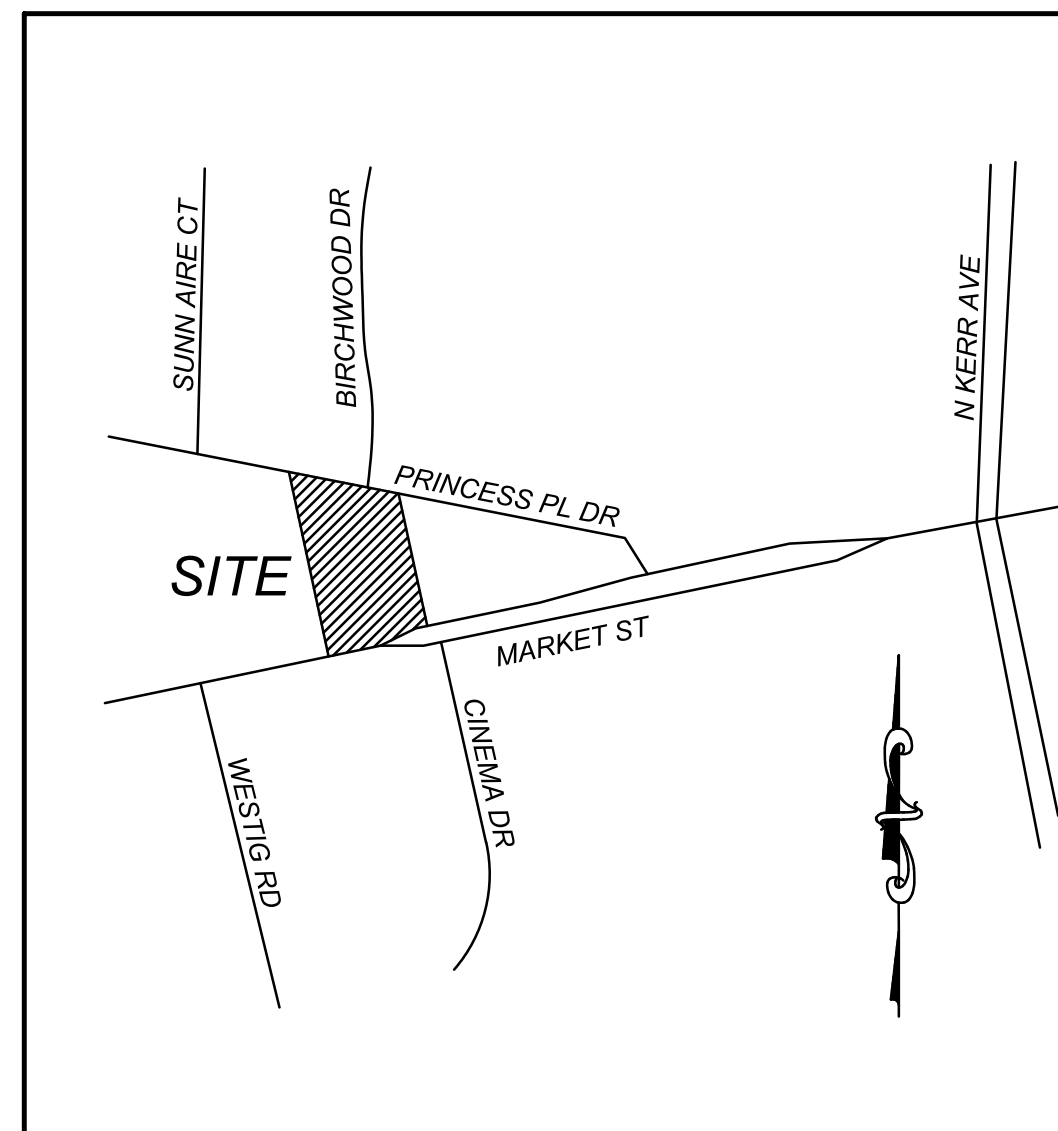


RECEIVED
By Jeff Walton at 2:39 pm, May 11, 2022



CAPE FEAR PUBLIC UTILITY AUTHORITY
235 GOVERNMENT CENTER DRIVE
WILMINGTON, NORTH CAROLINA 28403
PHONE: (910)-332-6550



VICINITY MAP
NOT TO SCALE

COOK OUT, INC.
15 LAURA LANE
THOMASVILLE, NORTH CAROLINA 27360
PHONE: (336) 215-7025
FAX: (336) 474-1849

SITE ADDRESS:
4195 MARKET STREET
NEW HANOVER COUNTY
WILMINGTON, NORTH CAROLINA
SEA JOB NUMBER: E-6813

APRIL 2022



Summey Engineering Associates, PLLC
Engineering - Land Planning - Consulting

PO Box 968
Asheboro, NC 27203
Phone: 336-328-0902 Fax: 336-328-0922
Email - info@summeyengineering.com

0 FEET
20 FEET

22 SPACES MAXIMUM

CAPE FEAR PUBLIC UTILITY AUTHORITY

SHEET INDEX

- C-1 GENERAL NOTES
- C-1A ORIGINAL SURVEY
- C-2 EXISTING CONDITIONS AND DEMO PLAN
- C-3 SITE AND UTILITY PLAN
- C-4 GRADING, DRAINAGE & EROSION CONTROL PLAN
- C-5 PAVING PLAN
- C-6 STRIPING AND SIGNAGE PLAN
- C-7 LIGHTING PLAN
- C-8 LANDSCAPE PLAN
- C-9 EROSION CONTROL DETAILS
- C-10 STANDARD DETAILS
- C-11 ROAD DETAILS
- C-12 LANDSCAPE DETAILS

GENERAL SITE NOTES:

1. THE INFORMATION SHOWN HEREIN WAS TAKEN FROM BOUNDARY AND TOPOGRAPHIC SURVEY PROVIDED BY: COMMERCIAL SITE DESIGN 8312 CREEDMOOR ROAD, RALEIGH NORTH CAROLINA 27613 PHONE: (919) 848-6121.
2. THE LOCATIONS OF ALL UTILITIES SHOWN ON THESE CIVIL SITE DEVELOPMENT PLANS ARE BASED ON THE AVAILABLE INFORMATION. THE CONTRACTOR SHALL VERIFY THE EXACT LOCATION OF UTILITIES WITH THE UTILITY OWNERS PRIOR TO COMMENCEMENT OF CONSTRUCTION.
3. ALL HANDICAP SITE FEATURES SHALL BE CONSTRUCTED TO MEET ALL FEDERAL, STATE AND LOCAL CODES.
4. ANY DISCREPANCY IN THIS PLAN, ARCHITECTURAL CIVIL SITE DEVELOPMENT PLANS, AND/OR ACTUAL FIELD CONDITIONS SHALL BE REPORTED TO THE ENGINEER PRIOR TO CONSTRUCTION. THE CONTRACTOR SHALL BE RESPONSIBLE FOR VERIFICATION OF ALL SETBACKS, EASEMENTS, AND DIMENSIONS SHOWN HEREIN BEFORE BEGINNING CONSTRUCTION.
5. THE CONTRACTOR SHALL CONTACT ALL OWNERS OF EASEMENTS, UTILITIES, AND R.O.W.'S. PUBLIC OR PRIVATE, PRIOR TO WORKING IN THESE AREAS.
6. ACCESS TO UTILITIES, FIRE HYDRANTS, STREET LIGHTING, ET, SHALL REMAIN UNDISTURBED, UNLESS COORDINATED WITH RESPECTIVE UTILITY.
7. DO NOT SCALE THIS DRAWING AS IT IS A REPRODUCTION AND SUBJECT TO DISTORTION.
8. THE CONTRACTOR IS RESPONSIBLE FOR DAMAGE TO ANY EXISTING ITEM AND/OR MATERIAL DUE TO CONSTRUCTION OPERATIONS. ALL STREET SURFACES, DRIVEWAYS, CULVERTS, CURBS AND GUTTERS, ROADSIDE DRAINAGE DITCHES, AND OTHER STRUCTURES THAT ARE DISTURBED OR DAMAGED IN ANY MATTER AS A RESULT OF CONSTRUCTION SHALL BE REPLACED OR REPAIRED IN ACCORDANCE WITH THE SPECIFICATIONS
9. ALL PERMITS RELATIVE TO PROJECT MUST BE OBTAINED PRIOR TO CONSTRUCTION. ALL CONSTRUCTION TO BE IN ACCORDANCE WITH PERMITS ISSUED AND APPLICABLE TO STATE, COUNTY, AND LOCAL CODES.
10. THE CONTRACTOR SHALL VERIFY LOCATION AND ELEVATION OF ALL UNDERGROUND UTILITIES. THE LOCATION OF ALL EXISTING UTILITIES IS NOT NECESSARILY SHOWN ON CIVIL SITE DEVELOPMENT PLANS AND WHERE SHOWN ARE ONLY APPROXIMATE. THE CONTRACTOR ON HIS INITIATIVE AND AT NO EXTRA COST SHALL HAVE LOCATED ALL UNDERGROUND LINES AND STRUCTURES AS NECESSARY. NO CLAIMS FOR DAMAGES OR EXTRA COMPENSATION SHALL ACCRUE TO THE CONTRACTOR FROM THE PRESENCE OF ITEMS SUCH AS PIPE OR OTHER OBSTRUCTIONS OR FROM ANY DELAY DUE TO REMOVAL OR REARRANGEMENT OF THE SAME. THE CONTRACTOR SHALL BE RESPONSIBLE FOR ANY DAMAGE DUE TO UNDERGROUND STRUCTURES. CONTRACTOR SHALL BE RESPONSIBLE FOR CONTACTING ALL NONSUBSCRIBING UTILITIES. THE CONTRACTOR(S) SHALL CALL 811 FOR ASSISTANCE IN LOCATING EXISTING UTILITIES. CALL AT LEAST 48 HOURS PRIOR TO ANY DIGGING.
11. SEEDING TO BE INSTALLED TO NCDEQ REQUIREMENT & STANDARD PRACTICES.
12. PRIOR TO STARTING CONSTRUCTION, THE CONTRACTOR SHALL BE RESPONSIBLE TO VERIFY THAT ALL REQUIRED PERMITS AND APPROVALS HAVE BEEN OBTAINED. NO CONSTRUCTION OR FABRICATION OF ANY ITEM SHALL BEGIN UNTIL THE CONTRACTOR HAS RECEIVED ALL CIVIL SITE DEVELOPMENT PLANS AND ANY OTHER DOCUMENTATION FROM ALL OF THE PERMITTING AND ANY OTHER REGULATORY AUTHORITIES. FAILURE OF THE CONTRACTOR TO FOLLOW THIS PROCEDURE SHALL CAUSE THE CONTRACTOR TO ASSUME FULL RESPONSIBILITY FOR ANY SUBSEQUENT MODIFICATION OF THE WORK MANDATED BY ANY REGULATORY AUTHORITY.
13. VISIT SITE AND BRING TO THE ENGINEER'S ATTENTION IN WRITING ANY PROBLEMS OR DISCREPANCIES WITH THE SITE OR PROJECT PRIOR TO CONSTRUCTION.
14. CHECK ALL "VERIFY" DIMENSIONS NOTED ON CIVIL SITE DEVELOPMENT PLANS. REPORT ANY DISCREPANCIES TO THE ENGINEER IN WRITING PRIOR TO ANY FURTHER CONSTRUCTION.
15. USE THE ARCHITECT'S DRAWINGS FOR BUILDING DIMENSIONS.

CONTRACTOR NOTES:

1. ALL DIMENSIONS AND RADII ARE OUTSIDE FACE OF BUILDING OR TO FACE OF CURB, OR TO THE CENTER OF STRUCTURES SUCH AS INLETS, SIGN POSTS, ETC., UNLESS OTHERWISE NOTED.
2. CONTACT ENGINEER FOR OBSERVATION OF CONSTRUCTION RELATED TO REQUIRED FEDERAL, STATE, OR LOCAL CERTIFICATIONS INCLUDING BUT NOT LIMITED TO PROOF ROLL AND ASPHALT PLACEMENT. PROVIDE 24 HOUR NOTICE TO ENGINEER FOR REQUIRED CONSTRUCTION OBSERVATION RELATED TO CERTIFICATION OF ROADWAY, WATER SYSTEM, PAVEMENT, ETC.
3. KEEP ALL PLANTING AND GRASS AREAS FREE OF DEBRIS, STONES, CONSTRUCTION MATERIALS, ETC., RESPONSIBLE FOR NOT DAMAGING EXISTING PLANTING TO REMAIN.
4. THE CONTRACTOR IS RESPONSIBLE FOR LOCATING AND AVOIDING ALL UNDERGROUND UTILITIES WHETHER SHOWN ON THE SITE PLAN OR NOT. THOSE SHOWN ARE BASED ON THE SURVEY PROVIDED AND MAY NOT BE ALL INCLUSIVE. CONTACT UTILITY LOCATION SERVICE OR OTHER APPROPRIATE UTILITY LOCATION SERVICE FOR UTILITY IDENTIFICATION PRIOR TO ANY WORK. CONTRACTOR TO PROTECT ALL UTILITIES TO REMAIN - TYPICAL. CONTACT ALL UTILITY COMPANIES TO INSURE THE UTILITIES ARE SHUT DOWN PRIOR TO THE START OF ANY DEMOLITION AND/ OR SITE WORK.
5. PATCH / REPAIR STREETS, STRUCTURES, ETC. AS NECESSARY AFTER CONNECTION OF PROPOSED UTILITIES.
6. SEE PLAN SET FOR PROPOSED GRADES AND EROSION CONTROL.
7. CIVIL/SITE CONTRACTOR SHALL FIELD VERIFY VERTICAL AND HORIZONTAL LOCATIONS OF ALL UTILITIES PRIOR TO CONSTRUCTION. CIVIL/SITE CONTRACTOR SHALL SCHEDULE A PRE-CONSTRUCTION CONFERENCE WITH THE LOCAL MUNICIPALITY AND ARCHITECT PRIOR TO COMMENCEMENT OF ANY CONSTRUCTION ACTIVITY. CONTRACTOR SHALL CALL 811 5 WORKING DAYS HOURS PRIOR TO COMMENCEMENT OF ANY CONSTRUCTION.
8. CONTRACTOR SHALL NOTIFY THE LOCAL MUNICIPALITY PUBLIC WORKS PRIOR TO ANY CONSTRUCTION ON STREET RIGHTS-OF-WAY
9. ANY CONSTRUCTION WITHIN THE LOCAL MUNICIPALITY RIGHTS-OF WAY ARE TO BE IN ACCORDANCE WITH THE LOCAL MUNICIPALITY STANDARDS AND SPECIFICATIONS REGARDING MATERIALS, INSTALLATION, AND TESTING, UNLESS OTHERWISE IN THE CONTRACT DOCUMENTS. ANY CONSTRUCTION WITHIN THE RIGHT-OF-WAY SHALL BE
10. PROTECTED WITH SIGNAGE AND TRAFFIC SAFETY DEVICES IN ACCORDANCE WITH THE NORTH CAROLINA STANDARDS AND GUIDELINES ALSO THE CONTRACTOR SHALL HAVE "UTILITY WORK AHEAD" SIGNS LOCATED AT ALL LOCATIONS WHEN ENTERING THE RIGHTS-OF-WAY.

UTILITY NOTES: (IF APPLICABLE)

1. UTILITY INFORMATION SHOWN HEREON WAS OBTAINED FROM THE BEST AVAILABLE SOURCE AND MAY OR MAY NOT BE EITHER ACCURATE OR COMPLETE. THE GENERAL CONTRACTOR IS RESPONSIBLE FOR VERIFYING EXACT LOCATIONS OF EXISTING UTILITIES AND IS RESPONSIBLE FOR ANY DAMAGE TO ANY UTILITIES, EITHER PUBLIC OR PRIVATE, SHOWN HEREON OR NOT SHOWN HEREON. ANY REPAIRS SHALL BE DONE TO THE SATISFACTION OF THE APPROPRIATE UTILITY COMPANY.
2. THE GENERAL CONTRACTOR SHALL CONFIRM ALL NEW UTILITY TAP LOCATIONS WITH THE UTILITY OWNERS. ALL FEES SHALL BE THE RESPONSIBILITY OF CONTRACTOR OR GENERAL CONTRACTOR.
3. SEE ELECTRICAL ENGINEERING SITE PLAN FOR LOCATION OF ALL SITE LIGHTING AND REQUIREMENTS
4. ALL NEW LOT LIGHTS AND THE MAIN IDENTIFICATION SIGN SHALL HAVE A MINIMUM 10 FEET CLEARANCE FROM ALL OVERHEAD UTILITIES.
5. GENERAL CONTRACTOR IS RESPONSIBLE FOR PERMITS AND/OR APPROVALS NECESSARY FOR ANY WORK IN ROADWAY OR RIGHT-OF-WAY.
6. MINIMUM COVER FOR CONDUITS SHALL BE 36" UNLESS OTHERWISE SHOWN OR NOTED IN THESE CIVIL SITE DEVELOPMENT PLANS.
7. ALL MANHOLES, VALVES, AND MONUMENT FRAMES SHALL BE SET TO FINISH GRADE AFTER PAVING.
8. THE CONTRACTOR SHALL COMPLY WITH THE RULES AND REGULATIONS OF THE STATE CONSTRUCTION SAFETY ORDERS. TRENCHES SHALL BE SHORED IN ACCORDANCE WITH OSHA.
9. THE MINIMUM SLOPE FOR SANITARY SEWER LINES SHALL BE AS FOLLOWS: 1) 1/4"/FT FOR 4" LINES AND 2) 1/8"/FT FOR 6" LINES. 6" CLEANOUTS SHALL BE PLACED AT 75' INTERVALS. 4" CLEANOUTS SHALL BE PLACED AT 50' INTERVALS
10. ALL SEWER LINES SHALL HAVE A FINAL COVER DEPTH 4'-0" IN NON-TRAFFIC AREAS AND 5'-0" MINIMUM IN TRAFFIC AREAS UNLESS SPECIFICALLY NOTED OTHERWISE ON THE CIVIL SITE DEVELOPMENT PLANS.
11. CABLE TV SERVICE ROUTING IS NOT PART OF THIS PLAN, CONTRACTOR TO COORDINATE WITH CABLE COMPANY.
12. EXISTING MANHOLES SHOULD BE FIELD VERIFIED FOR RIMS AND INVERTS.
13. THE CONTRACTOR SHALL OBTAIN AND PAY FOR ALL INSPECTIONS, CERTIFICATIONS, EQUIPMENT, ETC. THAT MAY BE REQUIRED.
14. THE ENGINEER AND/OR OWNER DISCLAIM ANY ROLE IN THIS CONSTRUCTION MEANS/METHODS ASSOCIATED WITH THE PROJECT AS SET FORTH IN THESE CIVIL SITE DEVELOPMENT PLANS.
15. OCCUPATIONAL HEALTH AND SAFETY ADMINISTRATION (OSHA) STANDARDS FOR EXCAVATIONS; FINAL RULE 29CFR PART 1926, SUBPART "P" APPLIES TO ALL EXCAVATIONS EXCEEDING 5 FEET IN DEPTH.
16. EXCAVATION EXCEEDING TWENTY (20) FEET IN DEPTH REQUIRES THE DESIGN OF A TRENCH SAFETY SYSTEM BY A REGISTERED PROFESSIONAL ENGINEER.
17. CONTRACTOR SHALL MAINTAIN AN "AS BUILT" SET OF DRAWINGS TO RECORD THE EXACT LOCATION OF ALL PIPING PRIOR TO CONCEALMENT. DRAWINGS SHALL BE GIVEN TO THE OWNER UPON COMPLETION OF THE PROJECT WITH A COPY OF THE TRANSMITTAL LETTER TO THE ENGINEER.
18. WATER PIPING SHALL BE CONNECTED TO BUILDING STUBS, VERIFY LOCATIONS PRIOR TO BEGINNING WATER PIPE INSTALLATION.
19. WASTE PIPING SHALL BE CONNECTED TO BUILDING STUBS, VERIFY LOCATIONS AND INVERTS PRIOR TO BEGINNING ANY WASTE PIPE INSTALLATION.
20. ALL UTILITY CONSTRUCTION SHALL BE IN ACCORDANCE WITH THE LOCAL MUNICIPALITY PUBLIC WORKS AND CROSS CONNECTION CONTROL, REGULATIONS AND STANDARDS.
21. SITE UTILITY CONTRACTOR TO PROVIDE WATER AND SANITARY SEWER TO WITHIN 5 FEET OF THE BUILDING, CONTRACTOR SHALL COORDINATE SITE PLAN CONNECTIONS WITH THE ARCHITECTURAL BUILDING CIVIL SITE DEVELOPMENT PLANS.
22. SANITARY CLEANOUTS SHALL BE PLACED NO MORE THAN 75 FEET APART. CLEAN OUTS LOCATED IN PAVEMENT AREAS SHALL HAVE A HEAVY DUTY TRAFFIC RATED CONSTRUCTION.
23. CONNECTION OF SANITARY SEWER SERVICE TO AN EXISTING MANHOLE SHALL COMPLY WITH THE LOCAL MUNICIPALITY PUBLIC WORKS STANDARDS, INCLUDING: CORE DRILL FOR OPENING INTO MANHOLE AND INSTALL WITH FLEXIBLE BOOT. IF PAVEMENT CUT IS REQUIRED, CONTRACTOR SHALL PATCH PAVEMENT WITH A SECTION TO MATCH EXISTING PAVEMENT
24. ALL WORK SHALL BE GOVERNED BY THE LATEST EDITIONS OF THE STATE MECHANICAL, PLUMBING, ELECTRICAL, FIRE PROTECTION, BUILDING CODE, ENERGY CONSERVATION, HANDICAPPED ACCESSIBILITY, NATIONAL ELECTRICAL CODES, AND NATIONAL FIRE PROTECTION ASSOCIATION CODES AS APPLICABLE AND AS ADOPTED BY THE AUTHORITIES HAVING JURISDICTION AND LATEST VERSION OF NC DOT POLICIES & PROCEDURES FOR ACCOMMODATING UTILITIES ON HIGHWAY RIGHTS-OF-WAY.
25. LOCATIONS OF EXISTING UTILITIES SHOWN ON THESE CIVIL SITE DEVELOPMENT PLANS ARE APPROXIMATE OR SCHEMATIC. THE LOCATIONS ARE BASED ON ACTUAL FIELD SURVEYS AND AVAILABLE RECORDS, CONTRACTOR SHALL FIELD VERIFY LOCATION OF ALL EXISTING UNDERGROUND UTILITIES AND UNDERGROUND STRUCTURES AND VERIFY REQUIRE COVER AND CLEARANCES PRIOR TO CONSTRUCTION AND REPORT ANY CONFLICTS TO THE ENGINEER.
26. CONTRACTOR SHALL CALL 811 AT LEAST 48 HOURS PRIOR TO BEGINNING CONSTRUCTION OR EXCAVATION TO HAVE UTILITIES LOCATED. CONTRACTOR SHALL CONTACT ANY LOCAL UTILITIES THAT PROVIDE THEIR OWN LOCATOR SERVICES INDEPENDENTLY.
27. THE CONTRACTOR SHALL BE RESPONSIBLE FOR THE LOCATION AND/OR RELOCATION OF ALL EXISTING UTILITIES IN COORDINATION WITH THE APPROPRIATE UTILITY, AGENCY, OR COMPANY.
28. IT IS THE RESPONSIBILITY OF THE CONTRACTOR TO VERIFY THE ACTUAL LOCATION AND AVAILABILITY OF ALL EXISTING AND PROPOSED UTILITIES IN THE FIELD PRIOR TO GROUND BREAKING.
29. ALL UTILITIES MUST BE LOCATED UNDERGROUND AND COORDINATED WITH THE LOCAL MUNICIPALITY OR LOCAL UTILITY COMPANY.



Summey Engineering Associates, PLLC
 Engineering - Land Planning - Consulting

PO Box 968
 Asheville, NC 27204
 Phone: 336-328-0902 Fax: 336-328-0922
 E-mail: info@summeyengineering.com
 NC Professional Engineering Firm License No. E-0336

By:

Description:

Date:

No.:

GENERAL NOTES

COOK OUT WILMINGTON

4195 MARKET STREET
 WILMINGTON - NEW HANOVER COUNTY - NORTH CAROLINA

Scale: AS NOTED

Date: NOV. 2021

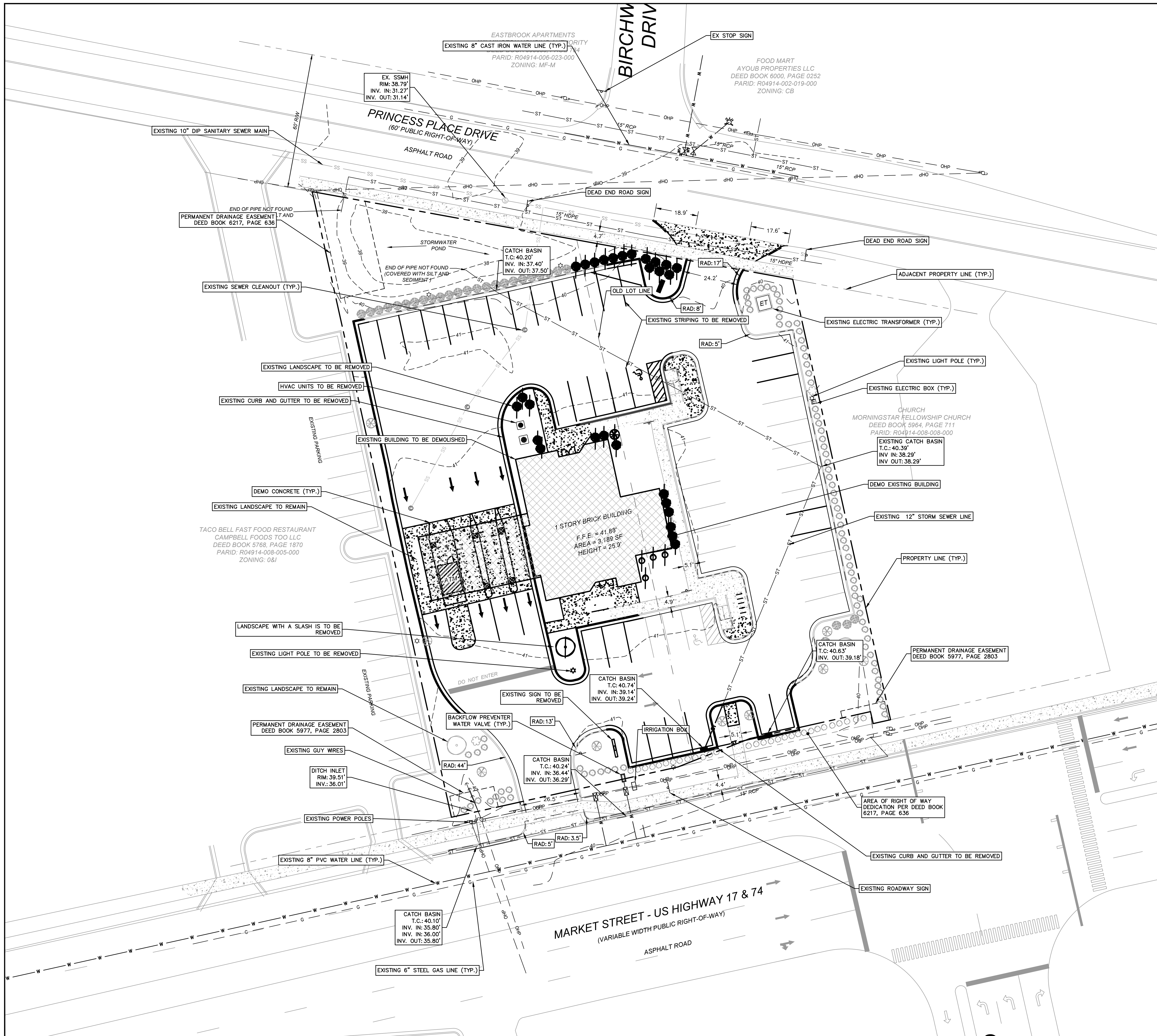
Drawn By: DLP

Checked By: HWSJ

Job No.: E-6815

Sheet No.

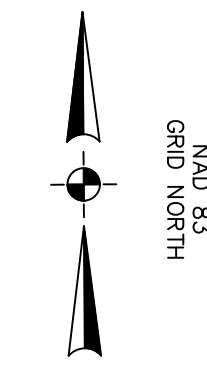
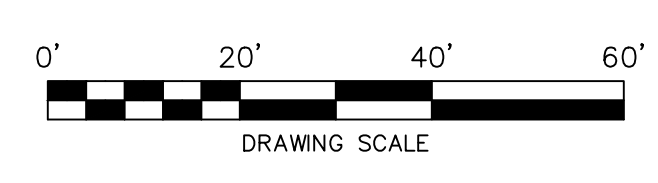
61



- NOTES:
1. PROPERTY LINES, TOPOGRAPHIC DATA, UTILITIES, AND ROADWAY AND EDGE OF PAVEMENT ARE SHOWN PER FIELD SURVEY RECEIVED FROM COMMERCIAL SITE DESIGN DATED OCTOBER 17, 2019.
 2. TOTAL PARCEL SIZE: 1.11 ACRES

DRAWING LEGEND

	EXISTING MAJOR CONTOUR
	EXISTING MINOR CONTOUR
	PROPERTY LINE
	ADJOINING PROPERTY LINE
	EXISTING UTILITY POLE
	EXISTING SANITARY SEWER MANHOLE
	EXISTING SANITARY SEWER LINE
	EXISTING WATER MAIN (TYP.)
	EXISTING FIRE HYDRANT
	EXISTING LIGHT POLE
	OVERHEAD ELECTRIC
	LIMITS OF CONSTRUCTION
	EXISTING GAS LINE

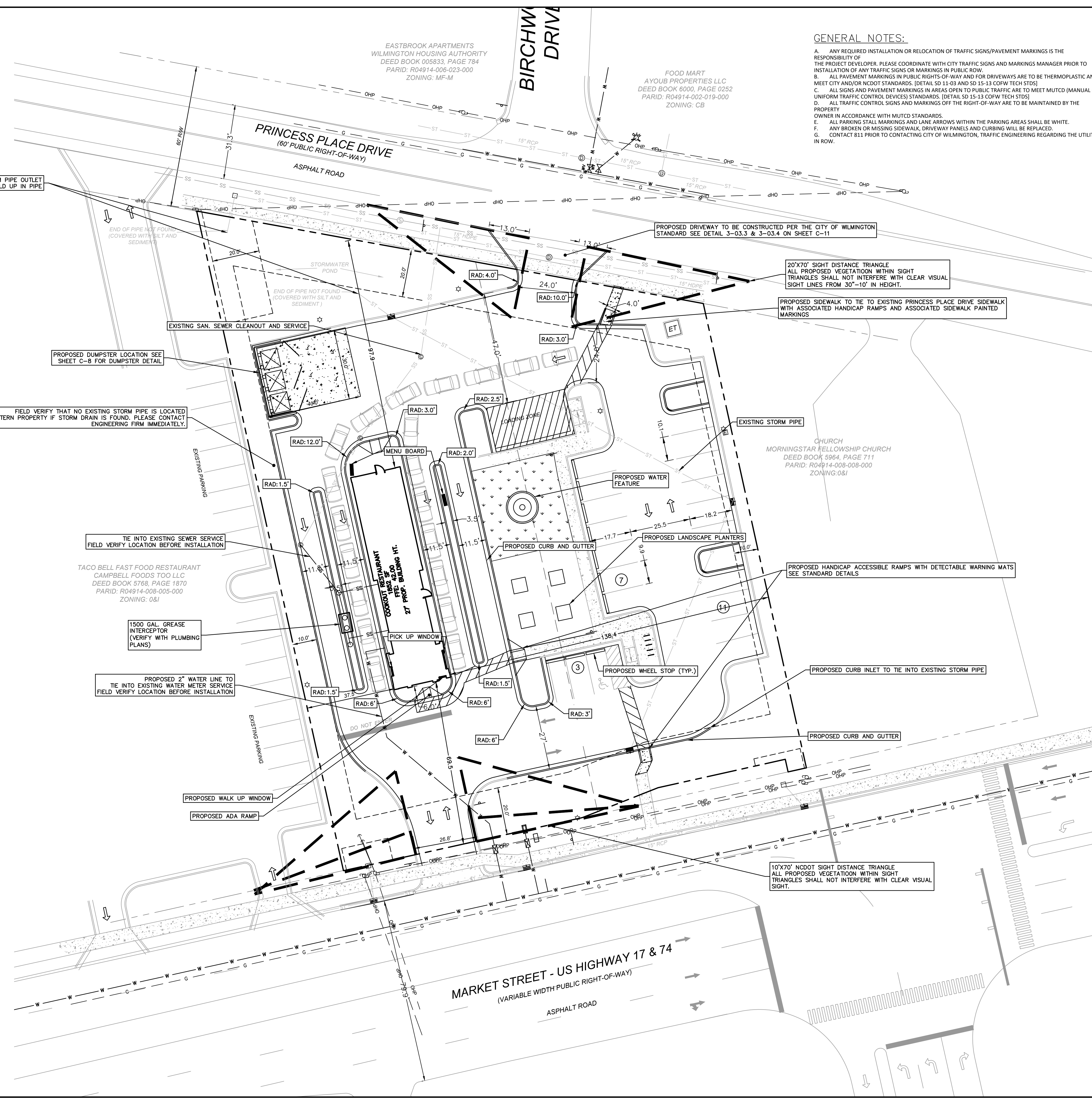


Summey Engineering Associates, PLLC
 Engineering - Land Planning - Consulting
 10 Box 968
 Asheville, NC 27204
 Phone: 336-324-0902 Fax: 336-324-0922
 E-mail: info@summeyengineering.com
 NC Professional Engineering Firm License No. P-0336

No.	Date:
Description:	
By:	

EXISTING CONDITIONS AND DEMO
 COOK OUT WILMINGTON
 4195 MARKET STREET
 WILMINGTON - NEW HANOVER COUNTY - NORTH CAROLINA

Scale:	AS NOTED
Date:	NOV. 2021
Drawn By:	DJP
Checked By:	HMSJ
Job No.:	E-6815
Sheet No.:	C-2



GENERAL NOTES:

- A. ANY REQUIRED INSTALLATION OR RELOCATION OF TRAFFIC SIGNS/PAVEMENT MARKINGS IS THE RESPONSIBILITY OF THE PROJECT DEVELOPER. PLEASE COORDINATE WITH CITY TRAFFIC SIGNS AND MARKINGS MANAGER PRIOR TO INSTALLATION OF ANY TRAFFIC SIGNS OR MARKINGS IN PUBLIC ROW.
- B. ALL PAVEMENT MARKINGS IN PUBLIC RIGHTS-OF-WAY AND FOR DRIVEWAYS ARE TO BE THERMOPLASTIC AND MEET CITY AND/OR NCDOT STANDARDS. [DETAIL SD 11-03 AND SD 15-13 COFW TECH STDS]
- C. ALL SIGNS AND PAVEMENT MARKINGS IN AREAS OPEN TO PUBLIC TRAFFIC ARE TO MEET MUTCD (MANUAL ON UNIFORM TRAFFIC CONTROL DEVICES) STANDARDS. [DETAIL SD 15-13 COFW TECH STDS]
- D. ALL TRAFFIC CONTROL SIGNS AND MARKINGS OFF THE RIGHT-OF-WAY ARE TO BE MAINTAINED BY THE PROPERTY OWNER IN ACCORDANCE WITH MUTCD STANDARDS.
- E. ALL PARKING STALL MARKINGS AND LANE ARROWS WITHIN THE PARKING AREAS SHALL BE WHITE.
- F. ANY BROKEN OR MISSING SIDEWALK, DRIVEWAY PANELS AND CURBING WILL BE REPLACED.
- G. CONTACT 811 PRIOR TO CONTACTING CITY OF WILMINGTON, TRAFFIC ENGINEERING REGARDING THE UTILITIES IN ROW.

SITE NOTES:

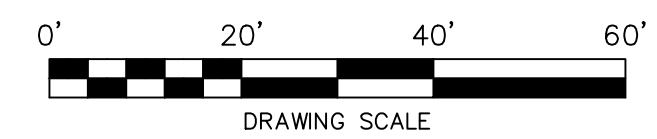
1. PROPERTY INFORMATION
 OWNERS: COOK OUT
 PIN NUMBERS: 3138-41-2122.000
 EXISTING ZONING: O&I-1
 EXISTING LAND USE: BANK
 SITE ADDRESS: 4195 MARKET STREET, WILMINGTON NORTH CAROLINA
 OWNER ADDRESSES: COOK OUT, 15 LAURA LANE THOMASVILLE, NC 27360
 TOTAL SITE AREA: 1.11 ACRES
 BUILDING CONSTRUCTION: TYPE V-B
2. THE PROJECT IS LOCATED WITHIN THE CITY OF WILMINGTON.
3. PARCEL BOUNDARIES, TOPOGRAPHIC DATA, EASEMENTS, EXISTING WATER METER AND SANITARY SEWER ARE SHOWN PER FIELD SURVEY PERFORMED BY COMMERCIAL SITE DESIGN.
4. PROPOSED USE: RESTAURANT WITH DRIVE THRU
- 4.1. CAMA LAND USE: URBAN
5. PARKING REQUIRED:
 MINIMUM PARKING: 18 SPACES
 MAXIMUM PARKING: 22 SPACES
 PROVIDED PARKING: 19 SPACES (1 HANDICAP SPACES INCLUDED)
6. ZONING BUILDING SETBACKS:
 FRONT= 20 FT
 SIDE= 0 FT
 REAR= 20 FT
6. (1) ACTUAL BUILDING SETBACKS:
 FRONT= 69.5 FT
 WESTERN SIDE= 37.5 FT
 EASTERN SIDE= 138.5 FT
 REAR= 97.8 FT
7. DISTURBED AREA: 27,481 SF (0.63 ACRES)
8. EXISTING BUILDING LOT COVERAGE: 3189 SF. / 48,351 SF. = 6.60%
9. PROPOSED BUILDING LOT COVERAGE: 1582 SF / 48,351 SF. = 3.27%
8. EXISTING IMPERVIOUS AREA: 35,879 SF.
9. RESULTING IMPERVIOUS AREA: 33,862 SF.
10. IMPERVIOUS AREA REDUCTION: 2,017 SF.
11. HANDICAP SPACES SHALL BE INSTALLED PER ADA REQUIREMENTS.
12. MAXIMUM SEPARATION BETWEEN SANITARY SEWER CLEANOUTS SHALL BE 50'.
13. OBTAIN ALL APPLICABLE PERMIT APPROVALS PRIOR TO ANY CONSTRUCTION.
14. CONFIRM UTILITY TIE INS WITH ARCHITECTURAL DESIGN PRIOR TO CONSTRUCTION.
15. WATER AND SEWER UTILITY TIE IN LOCATIONS ARE SHOWN ON THIS PLAN FOR REFERENCE ONLY.

DRAWING LEGEND

---	PROPERTY LINE
---	ADJOINING PROPERTY LINE
---	ZONING SETBACK LINE
⊙	EXISTING UTILITY POLE
⊙	EXISTING SANITARY SEWER MANHOLE
SS	EXISTING SANITARY SEWER LINE
W	EXISTING WATER MAIN (TYP.)
⊙	EXISTING FIRE HYDRANT
⊙	EXISTING LIGHT POLE
—OHP—	OVERHEAD ELECTRIC
—ST—	EXISTING STORM
—G—	EXISTING GAS LINE

FIRE & SAFETY NOTES:

1. CONTRACTOR SHALL MAINTAIN AN ALL WEATHER ACCESS FOR EMERGENCY VEHICLES AT ALL TIMES DURING CONSTRUCTION.
2. LANDSCAPING OR PARKING CANNOT BLOCK FIRE HYDRANTS, A 3-FOOT CLEAR SPACE SHALL ALWAYS BE MAINTAINED AROUND THE CIRCUMFERENCE OF HYDRANTS AND FDC'S.
3. ADDITIONAL FIRE PROTECTION AND/OR ACCESSIBILITY REQUIREMENTS MAY BE REQUIRED DUE TO ANY SPECIAL CIRCUMSTANCES CONCERNING THE PROJECT.
4. CONTRACTOR SHALL SUBMIT A RADIO SIGNAL STRENGTH STUDY FOR ALL COMMERCIAL BUILDINGS THAT DEMONSTRATES THAT EXISTING EMERGENCY RESPONDER RADIO SIGNAL LEVELS MEET THE REQUIREMENTS OF SECTION 510 OF THE 2018 NC FIRE CODE.

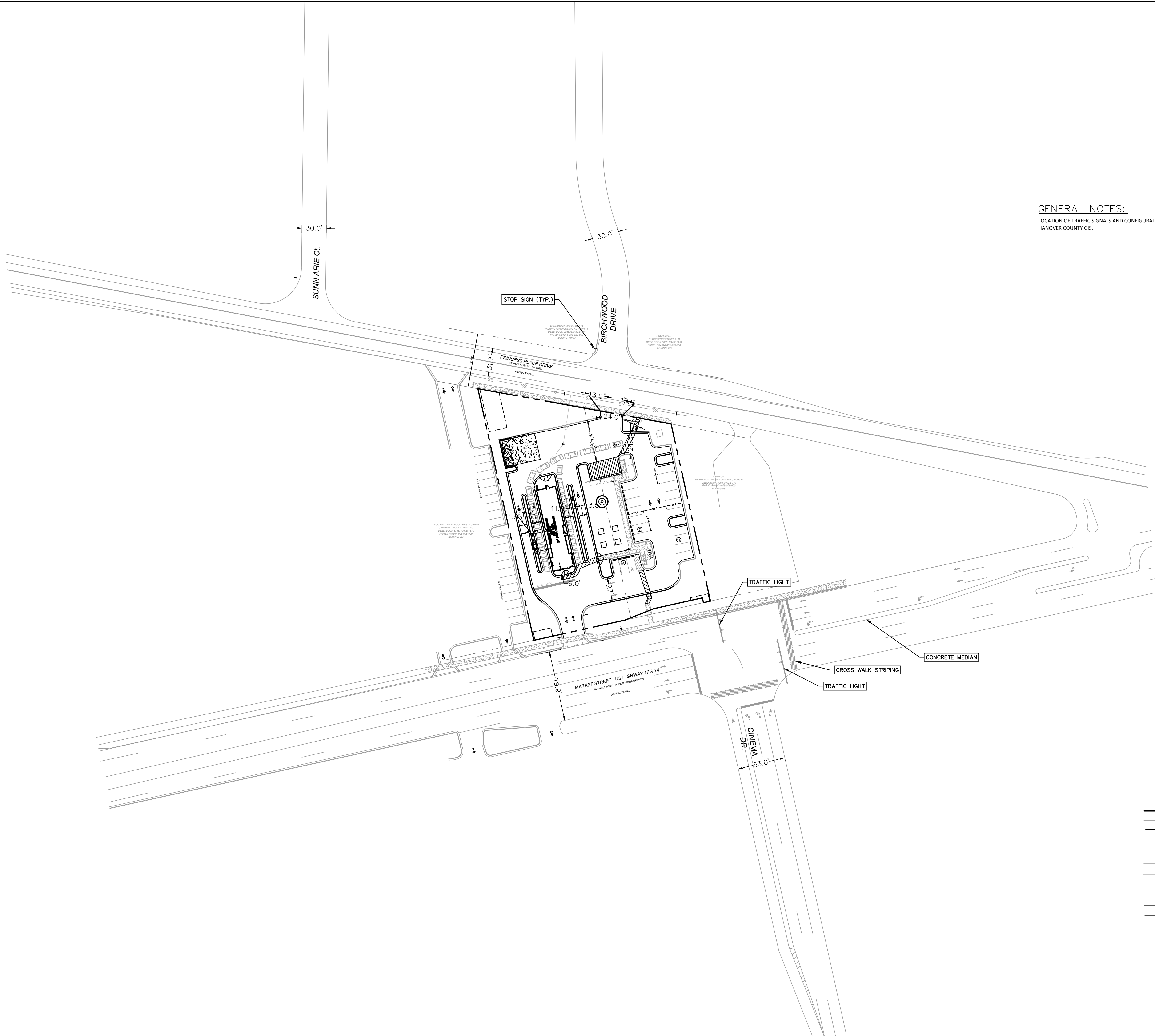


Summey Engineering Associates, PLLC
 Engineering - Land Planning - Consulting
 PO Box 968
 Asheville, NC 27204
 Phone: 336-324-0902 Fax: 336-324-0922
 Email: info@summeyengineering.com
 NC Professional Engineering Firm License No. F-0336

Br:	
Description:	
Date:	
No.:	

SITE AND UTILITY
COOK OUT WILMINGTON
 4195 MARKET STREET
 WILMINGTON - NEW HANOVER COUNTY - NORTH CAROLINA

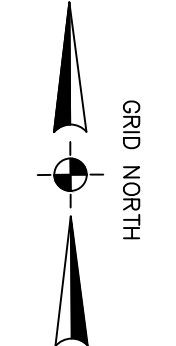
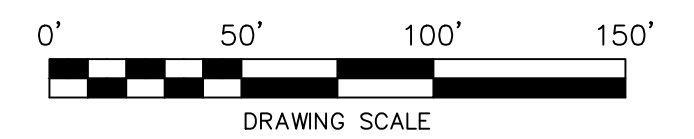
Scale:	AS NOTED
Date:	NOV. 2021
Drawn By:	DLP
Checked By:	HMSJ
Job No.:	E-6815
Sheet No.:	C-3



GENERAL NOTES:
 LOCATION OF TRAFFIC SIGNALS AND CONFIGURATIONS ARE APPROXIMATE PER NCONEMAP IMAGERY AND NEW HANOVER COUNTY GIS.

DRAWING LEGEND

---	PROPERTY LINE
- - -	ADJOINING PROPERTY LINE
---	ZONING SETBACK LINE
⊕	EXISTING UTILITY POLE
⊙	EXISTING SANITARY SEWER MANHOLE
SS	EXISTING SANITARY SEWER LINE
W	EXISTING WATER MAIN (TYP.)
⊕	EXISTING FIRE HYDRANT
⊕	EXISTING LIGHT POLE
OHP	OVERHEAD ELECTRIC
ST	EXISTING STORM
G	EXISTING GAS LINE



SEA

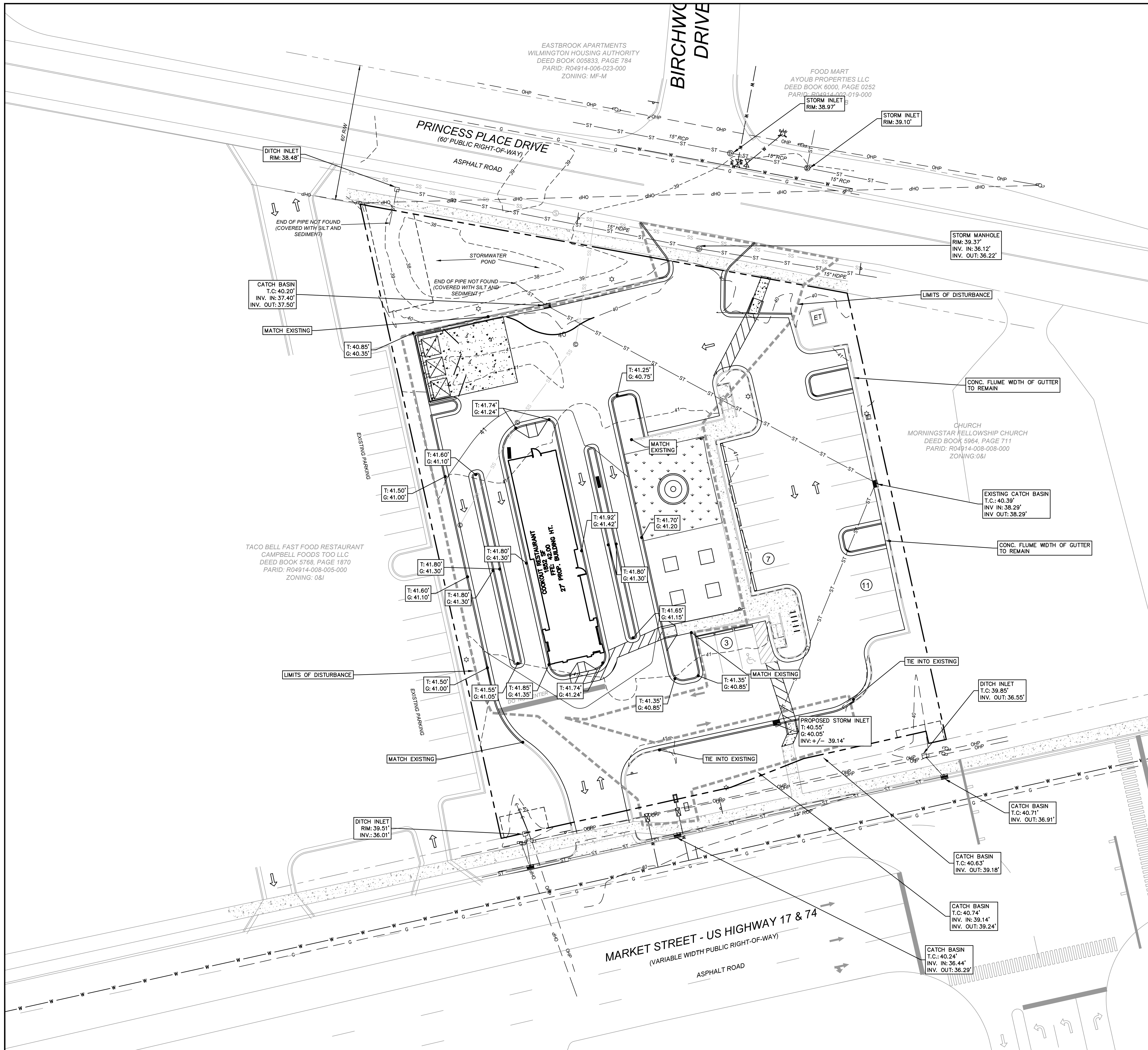
Summey Engineering Associates, PLLC
 Engineering - Land Planning - Consulting

PO Box 968
 Asheboro, NC 27204
 Phone: 336-324-0902 Fax: 336-324-0922
 E-mail: info@summeyengineering.com
 NC Professional Engineering Firm License No. P-0936

No.	Date:	Description:	By:

OVERALL TRAFFIC LAYOUT
COOK OUT WILMINGTON
 4195 MARKET STREET
 WILMINGTON - NEW HANOVER COUNTY - NORTH CAROLINA

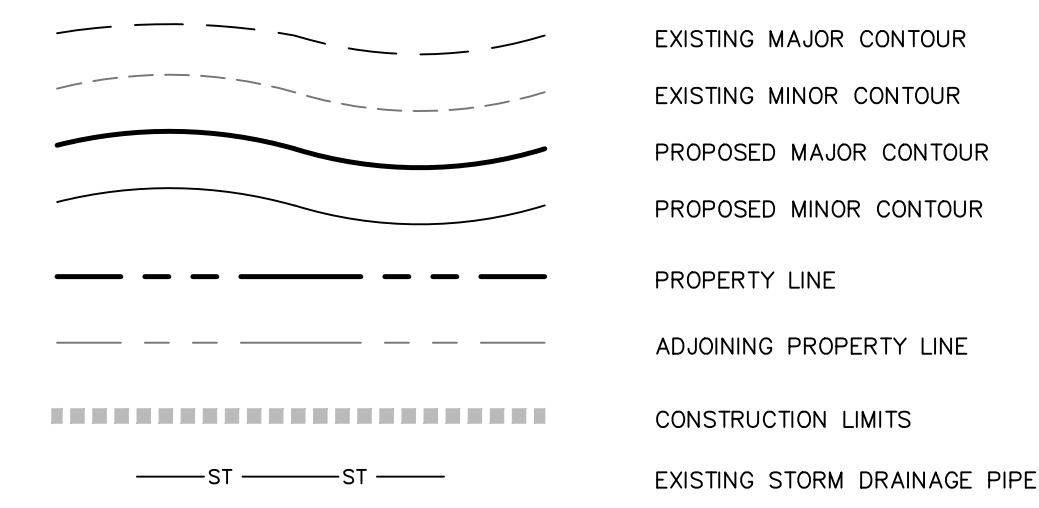
Scale:	AS NOTED
Date:	NOV. 2021
Drawn By:	DJP
Checked By:	HMSJ
Job No.:	E-6815
Sheet No.:	C-3A



CONSTRUCTION SEQUENCE

1. OBTAIN PLAN APPROVAL FROM CITY OF WILMINGTON AND ALL OTHER REQUIRED PERMITS.
2. INSTALL TEMPORARY CONSTRUCTION ENTRANCE.
3. DEMO EXISTING BUILDING ALONG WITH THE ASSOCIATED CURB AND GUTTER SHOWN ON SHEET C-2.
4. GRADE AREA TO CONTOURS AND SPOT ELEVATIONS SHOWN ON SHEET C-4.
5. STABILIZE RESULTING AREAS.
6. CONSTRUCT NEW BUILDING AND ASSOCIATED CURB AND GUTTER.
7. PAVE AREAS SHOWN ON SHEET C-5.
8. INSTALL PERMANENT SEEDING IN AREA OF THE DEMO BUILDING AND PLANT LANDSCAPE SHOWN SHEET C-6.
9. ONCE AREA IS STABILIZED AND WITH THE APPROVAL FROM THE CITY OF WILMINGTON REMOVE TEMPORARY CONSTRUCTION ENTRANCE.

DRAWING LEGEND



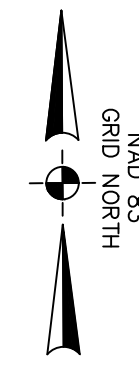
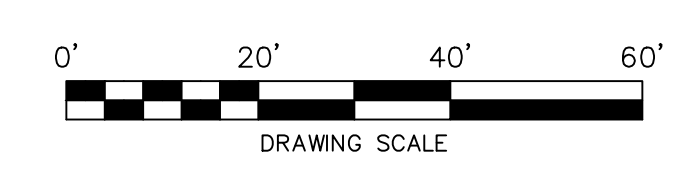
Summey Engineering Associates, PLLC
 Engineering - Land Planning - Consulting
 PO Box 968
 Asheville, NC 27204
 Phone: 336-224-0902 Fax: 336-224-0922
 E-mail: info@summeyengineering.com
 NC Professional Engineering Firm License No. P-0336

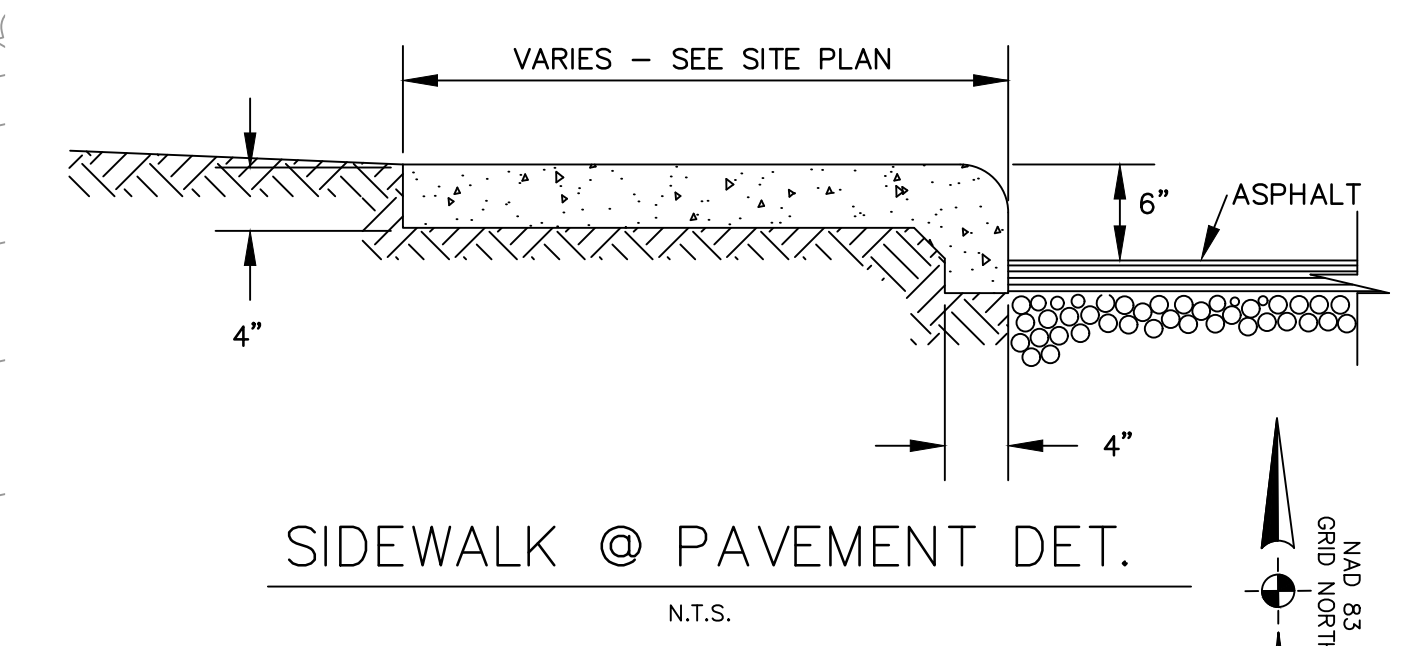
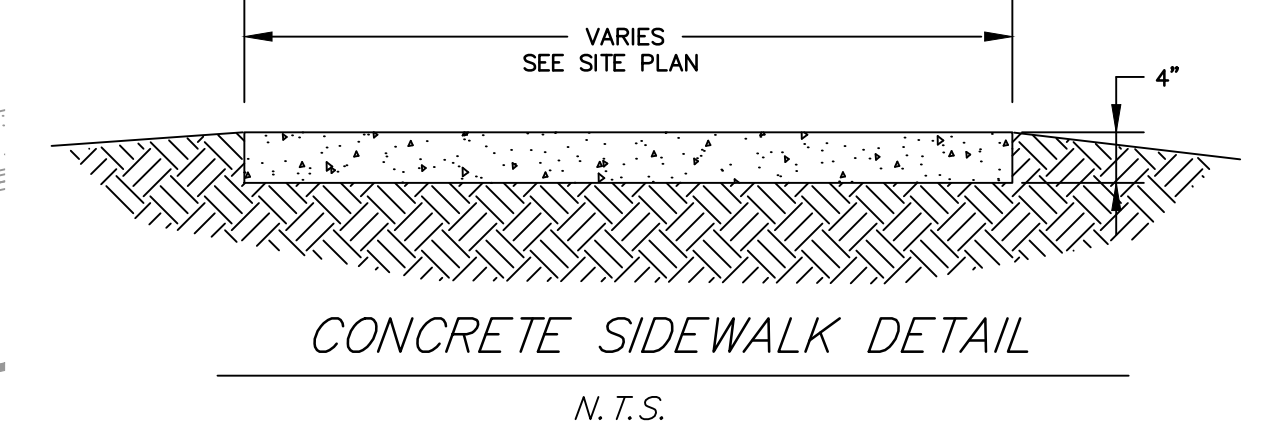
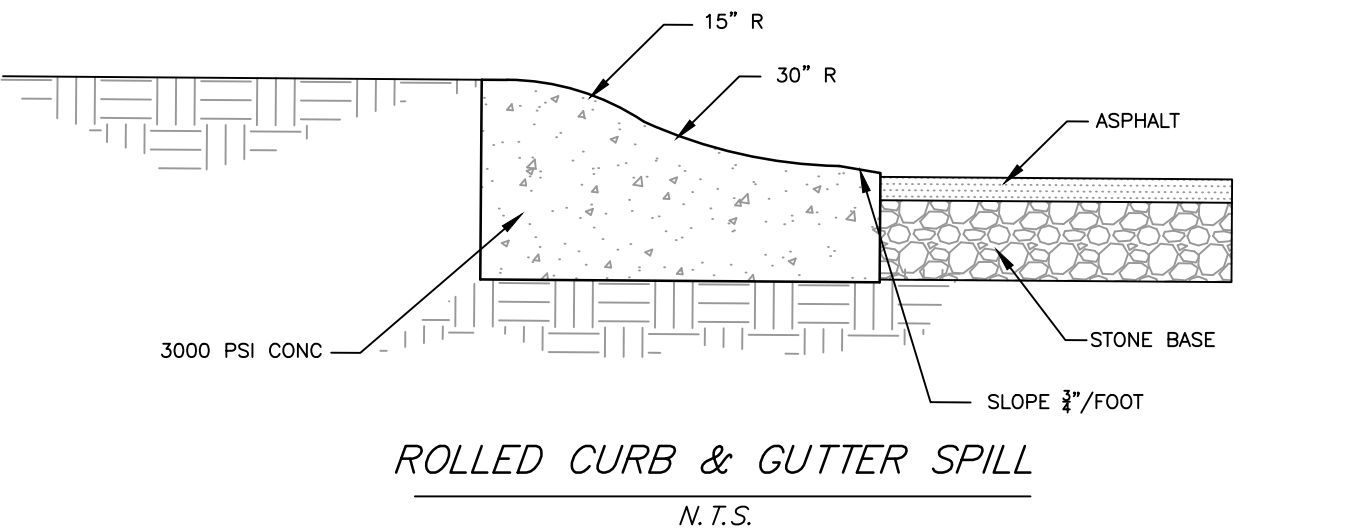
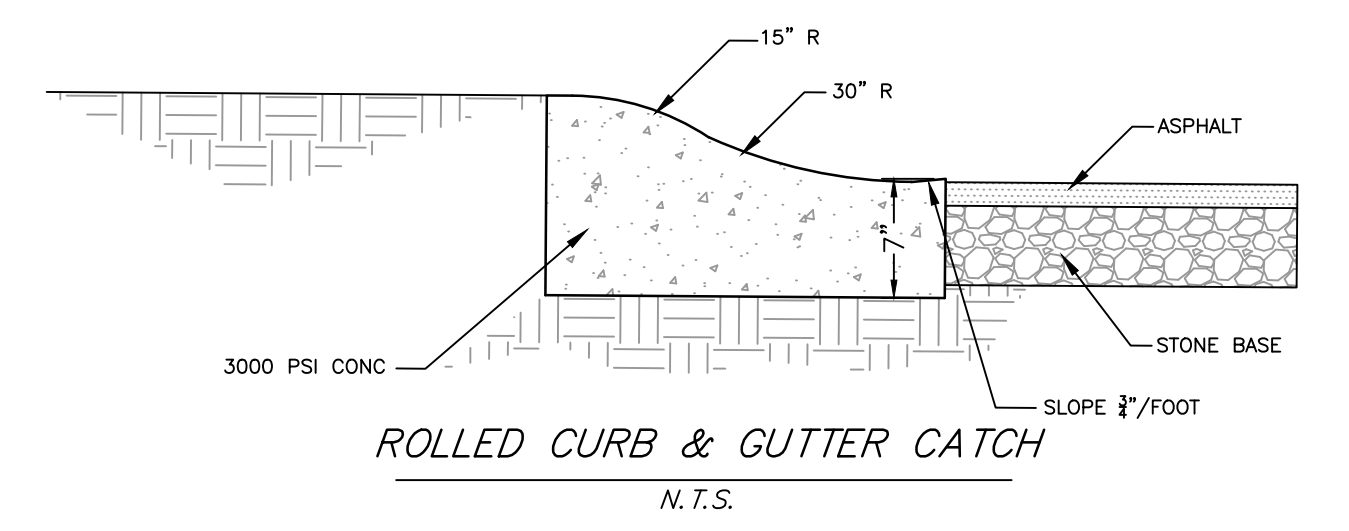
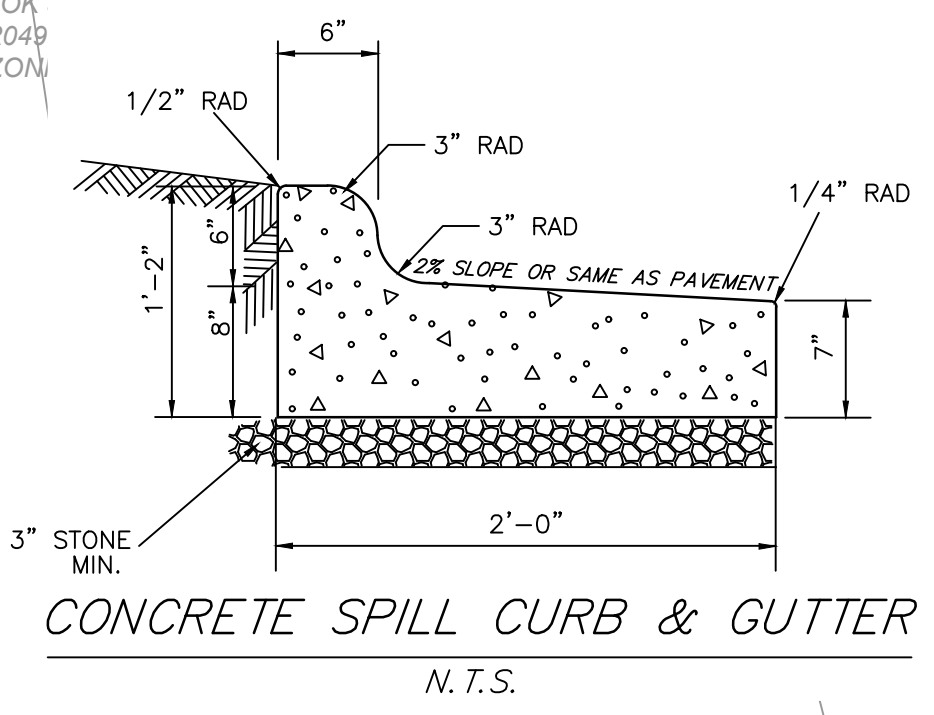
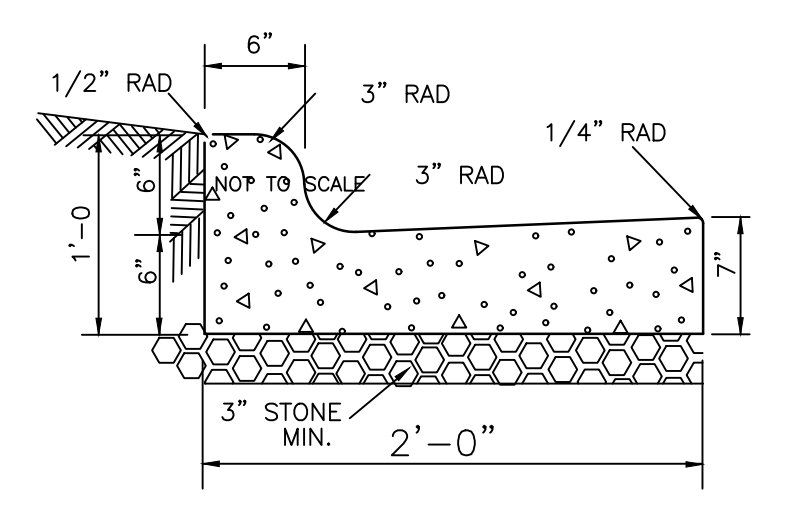
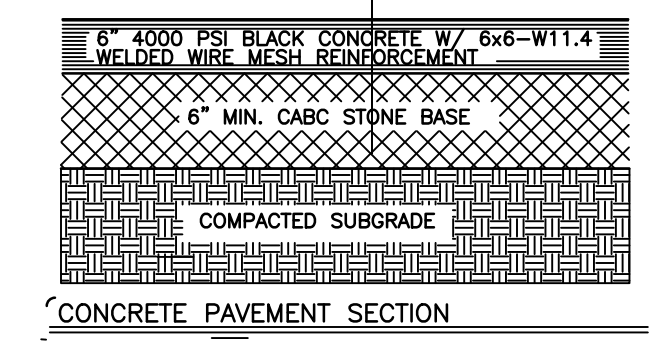
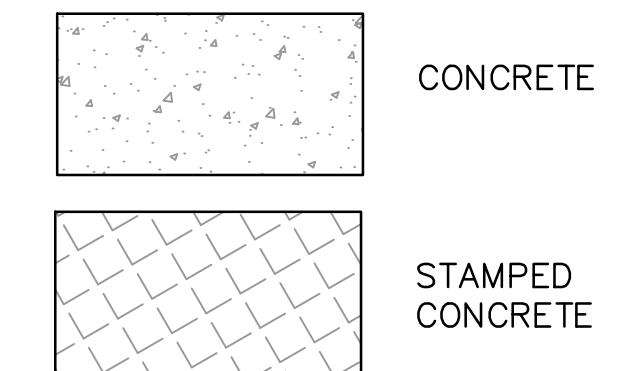
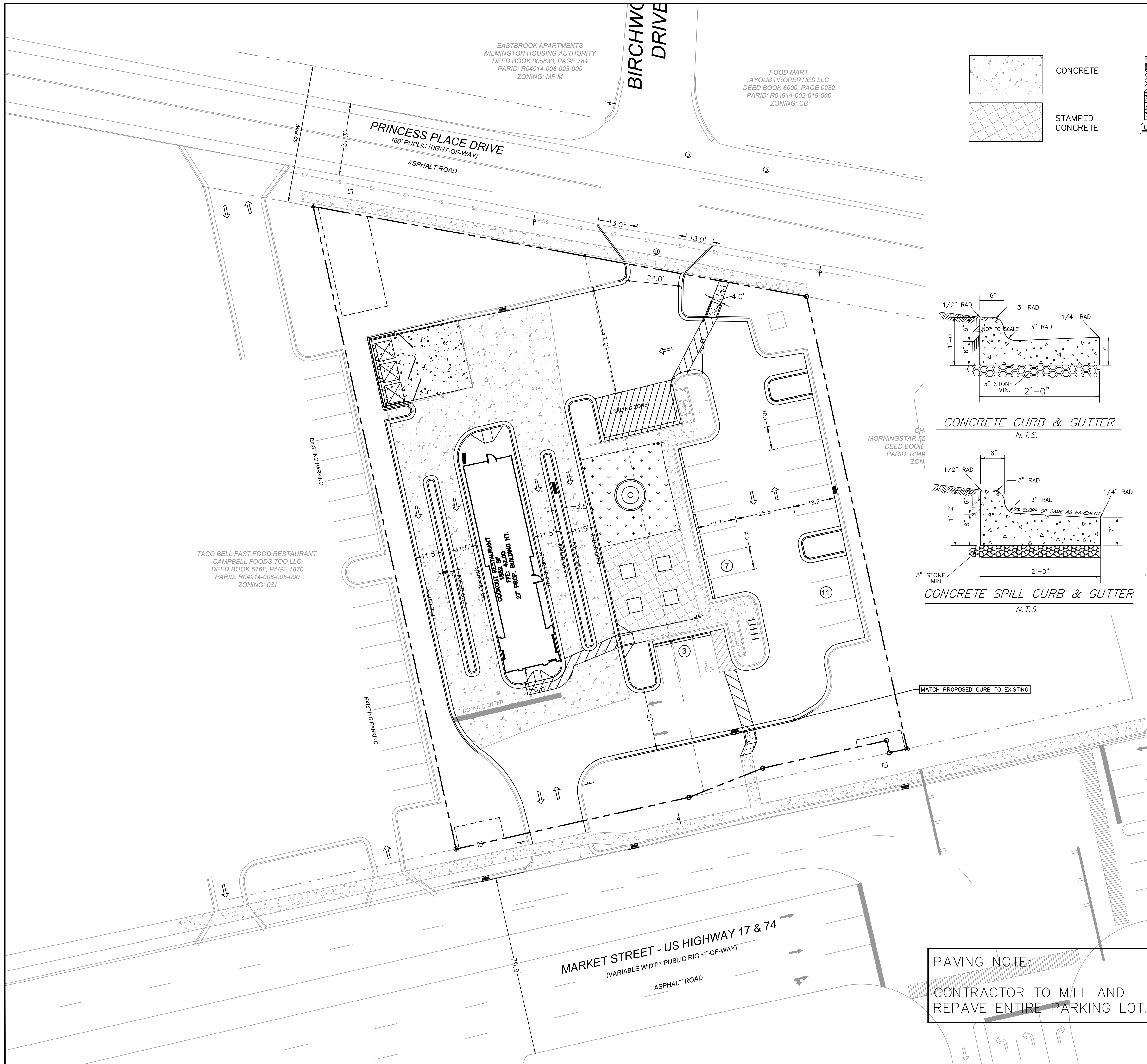
Br:	
Description:	
Date:	
No.:	

GRADING AND EROSION CONTROL PLAN
COOK OUT WILMINGTON
 4195 MARKET STREET
 WILMINGTON - NEW HANOVER COUNTY - NORTH CAROLINA

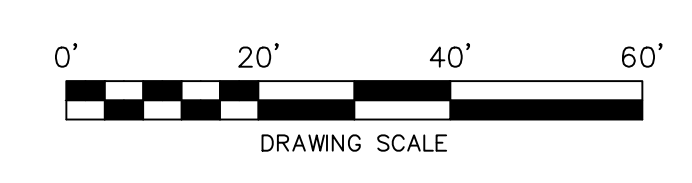
Scale:	AS NOTED
Date:	NOV. 2021
Drawn By:	DJP
Checked By:	HMSJ
Job No.:	E-6815

Sheet No. **C-4**





PAVING NOTE:
CONTRACTOR TO MILL AND REPAVE ENTIRE PARKING LOT.



SEA

Summey Engineering Associates, PLLC
Engineering - Land Planning - Consulting

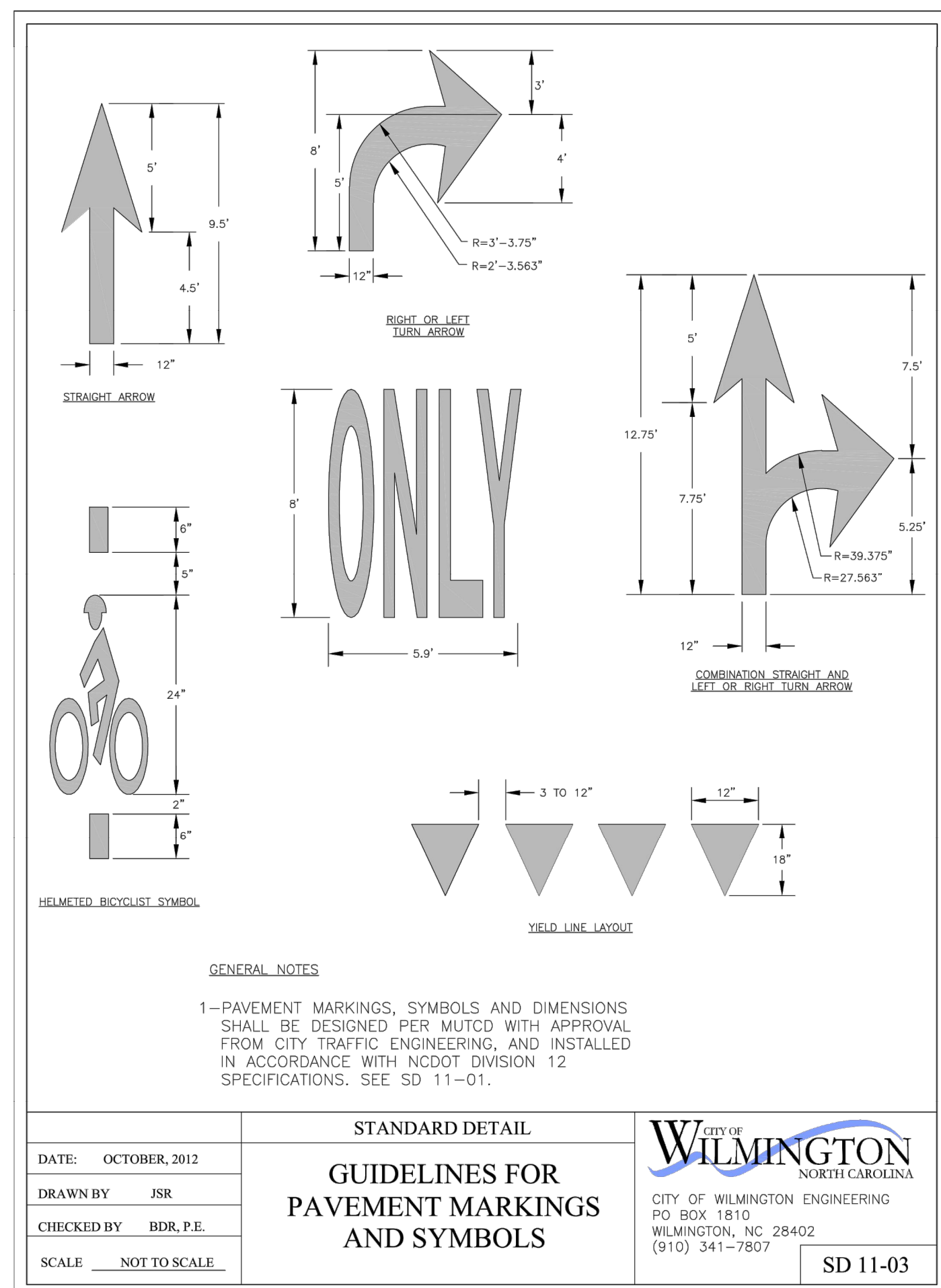
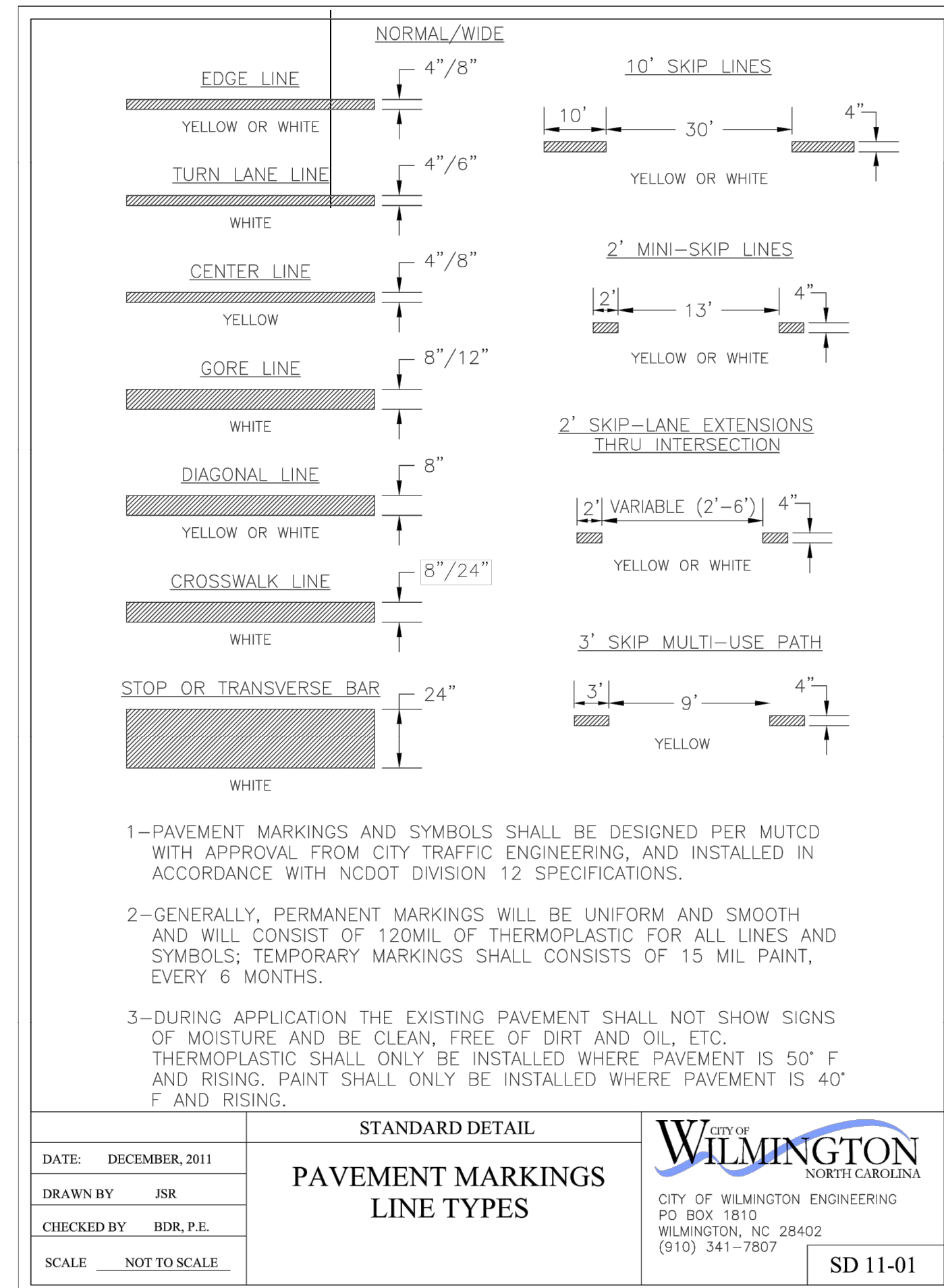
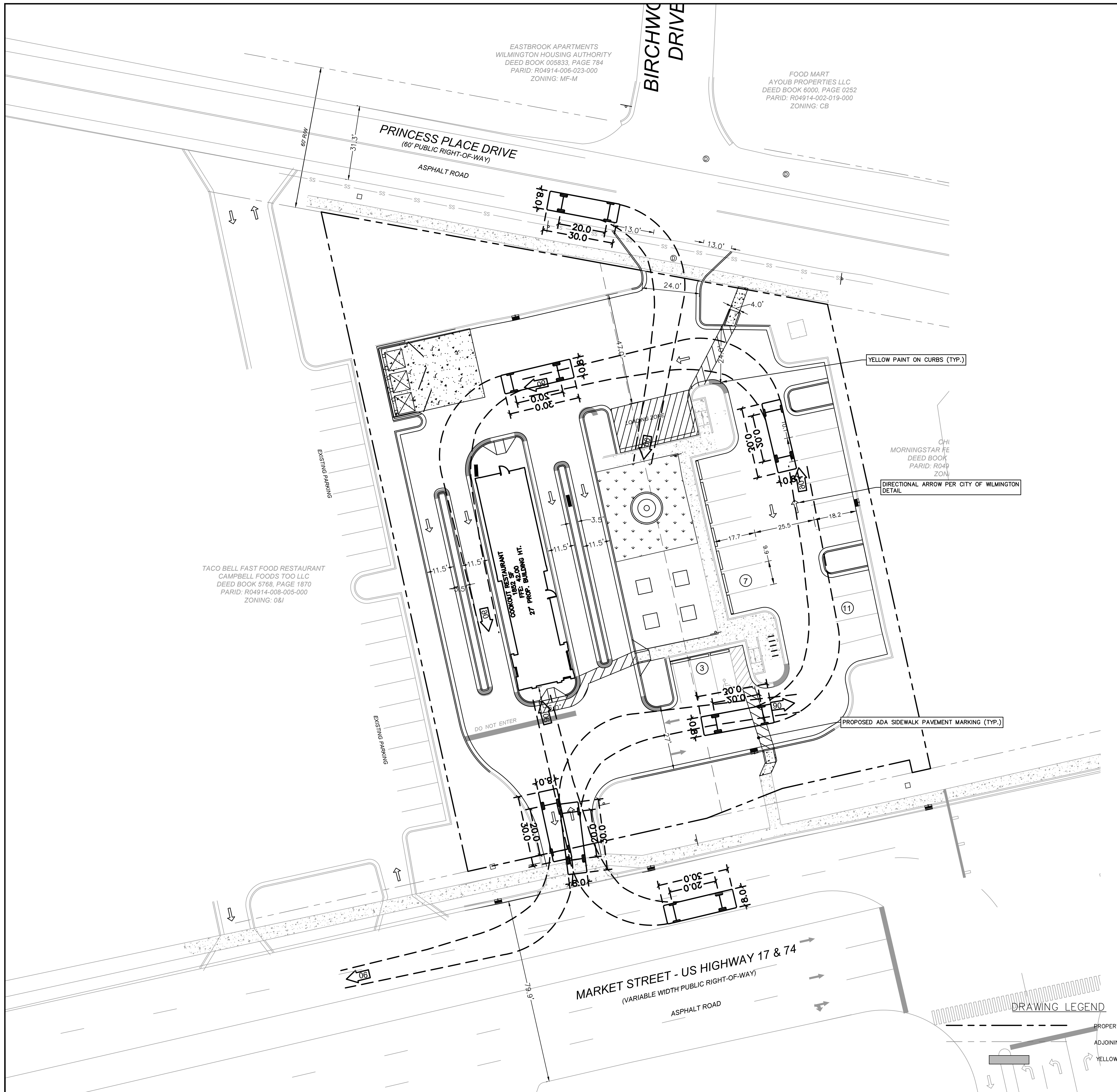
PO Box 968
Asheboro, NC 27204
Phone: 336-324-0902 Fax: 336-324-0922
Email: info@summeyengineering.com
NC Professional Engineering Firm License No. P-0936

By:	
Description:	
No.:	
Date:	

PAVING PLAN
COOK OUT WILMINGTON
4195 MARKET STREET
WILMINGTON - NEW HANOVER COUNTY - NORTH CAROLINA

Scale:	AS NOTED
Date:	NOV. 2021
Drawn By:	DJP
Checked By:	HMSJ
Job No.:	E-6815

Sheet No. **C-5**

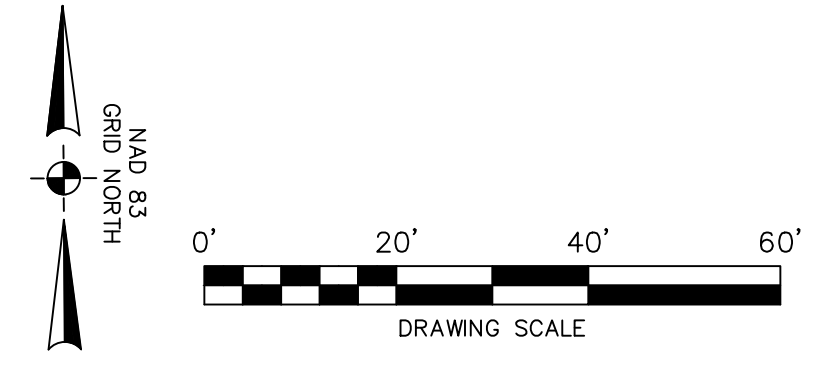


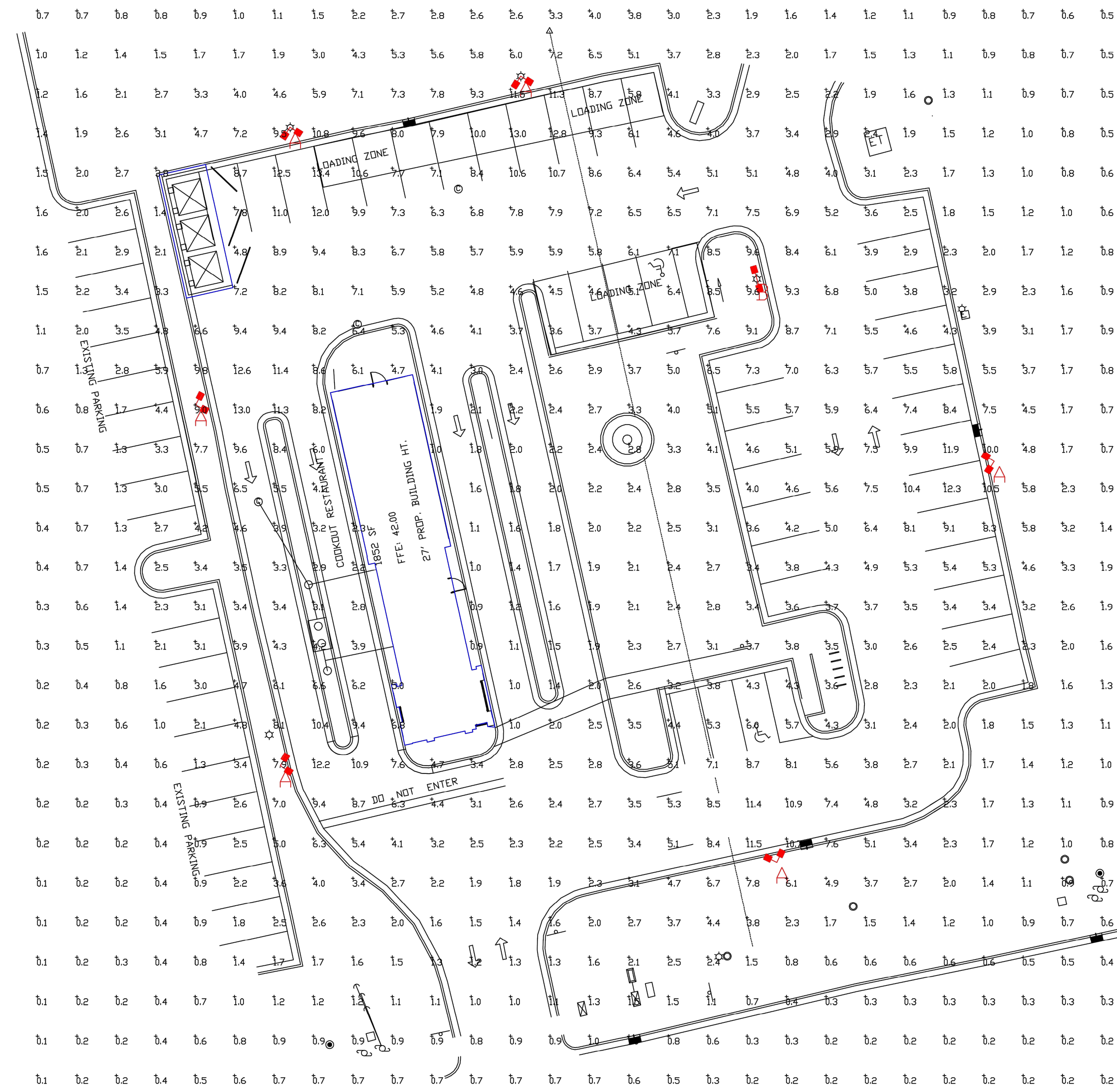
Summey Engineering Associates, PLLC
Engineering - Land Planning - Consulting
PO Box 968
Asheboro, NC 27204
Phone: 336-324-0902 Fax: 336-324-0922
E-mail: info@summeyengineering.com
NC Professional Engineering Firm License No. F-0336

By:	
Description:	
Date:	
No.:	

STRIPING SIGNAGE PLAN
COOK OUT WILMINGTON
4195 MARKET STREET
WILMINGTON - NEW HANOVER COUNTY - NORTH CAROLINA

Scale:	AS NOTED
Date:	NOV. 2021
Drawn By:	DJP
Checked By:	HMSJ
Job No.:	E-6815
Sheet No.:	C-6

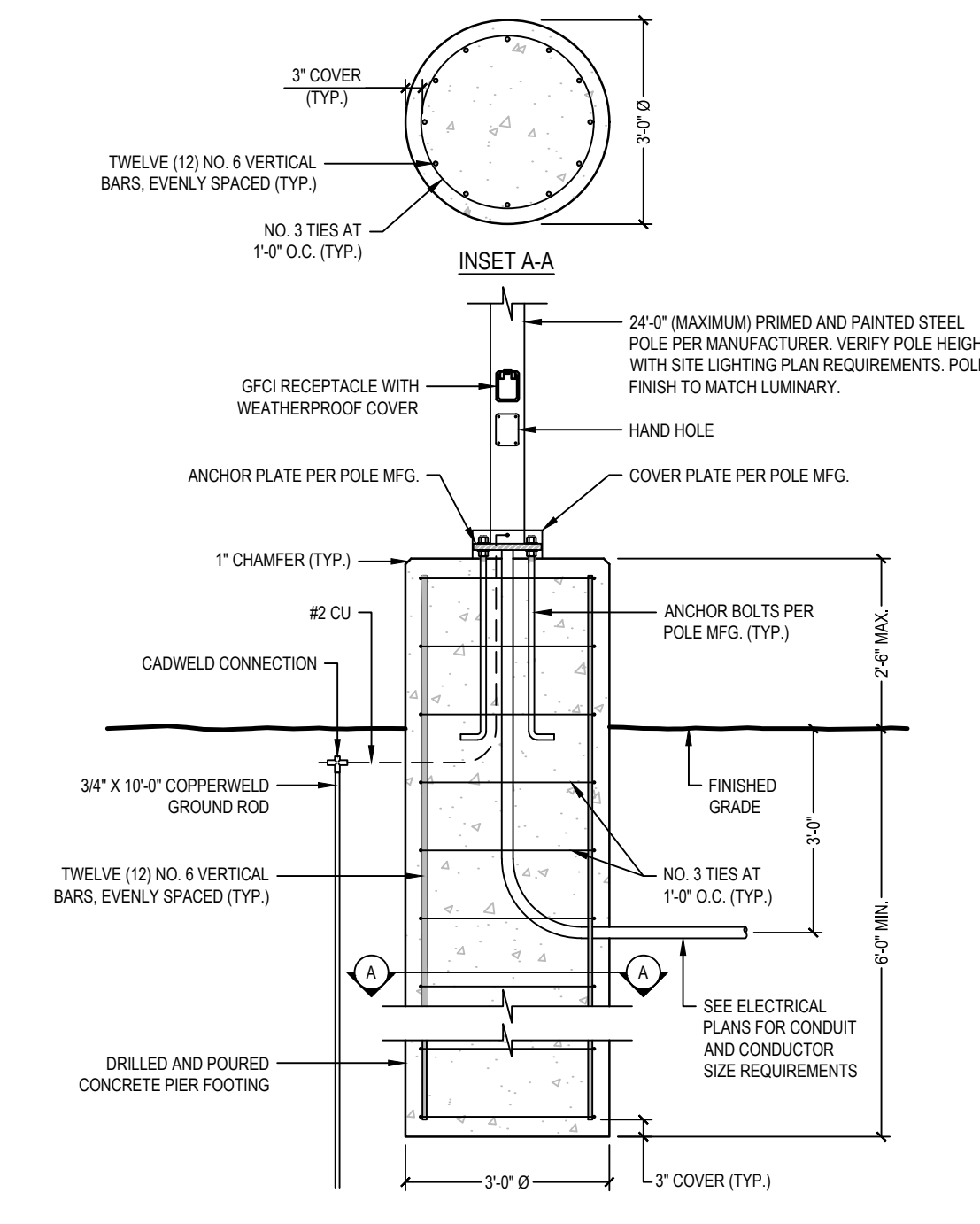




DESIGN CONSIDERATIONS:

- 2015 AASHTO - SIGNS
- 2018 INTERNATIONAL BUILDING CODE
- MAXIMUM DESIGN WIND SPEED 150 MPH
- MIN. CONCRETE COMPRESSIVE STRENGTH 3,000 PSI
- PRESUMPTIVE VERTICAL BEARING SOIL PRESSURE 2,000 PSF
- PRESUMPTIVE LATERAL BEARING SOIL PRESSURE 150 PS/FT

CONTRACTOR SHALL COORDINATE WITH ELECTRICAL PLANS AND SITE LIGHTING PLANS FOR SPECIFIC WIRING REQUIREMENTS THAT MAY OR MAY NOT BE SHOWN ON THIS DETAIL.



1 TYP. LIGHT POLE FOUNDATION SECTION
SCALE: 1/2" = 1'-0"



Label	CalcType	Units	Avg	Max	Min	Avg/Min	Max/Min
CALCULATION POINTS @ GRADE	Illuminance	Fc	3.39	13.4	0.1	33.90	134.00
PARKING & DRIVING SUMMARY	Illuminance	Fc	5.46	13.4	1.0	5.46	13.40

Symbol	Qty	Label	Arrangement	Description	LLD	LDD	LLF	Arr. Lum. Lumens	Arr. Watts
	6	A	2 @ 90 DEGREES	SMA-LED-38L-ACR-FT-50-D90-24' POLE+3' BASE-45 DEGREE TILT	1.000	1.000	1.000	68680	612
	1	B	D180°	SMA-LED-38L-ACR-FT-50-D180-24' POLE+3' BASE-45 DEGREE TILT	1.000	1.000	1.000	68680	612

**PHOTOMETRIC EVALUATION
NOT FOR CONSTRUCTION**

Based on the information provided, all dimensions and luminaire locations shown represent recommended positions. The engineer and/or architect must determine the applicability of the layout to existing or future field conditions.

This lighting plan represents illumination levels calculated from laboratory data taken under controlled conditions in accordance with The Illuminating Engineering Society (IES) approved methods. Actual performance of any manufacturer's luminaires may vary due to changes in electrical voltage, tolerance in lamps/LEDs and other variable field conditions. Calculations do not include obstructions such as buildings, curbs, landscaping, or any other architectural elements unless noted. Fixture nomenclature noted does not include mounting hardware or poles. This drawing is for photometric evaluation purposes only and should not be used as a construction document or as a final document for ordering product.

Total Project Watts
Total Watts = 4284

LIGHTING PROPOSAL LO-154736-1

COOK OUT WILMINGTON, NC

PROJECT NO.	DATE 11/2/21	REV 11/8/21	SHEET 1 OF 1
-------------	--------------	-------------	--------------

SCALE: 1"=16'

Summey Engineering Associates, PLLC
Engineering - Land Planning - Consulting
PO Box 968
Asheboro, NC 27204
Phone: 336-324-0902 Fax: 336-324-0922
Email: info@summeyengineering.com
NC Professional Engineering Firm License No. F-0336

By:	
Description:	
Date:	
No.:	

LIGHTING PLAN
COOK OUT WILMINGTON
4195 MARKET STREET
WILMINGTON - NEW HANOVER COUNTY - NORTH CAROLINA

Scale:	AS NOTED
Date:	NOV. 2021
Drawn By:	DJP
Checked By:	HMSJ
Job No.:	E-6815

Sheet No. C-7



Summey Engineering Associates, PLLC
 Engineering - Land Planning - Consulting

PO Box 968
 Asheville, NC 27204
 Phone: 336-324-0902 Fax: 336-324-0922
 E-mail: info@summeyengineering.com
 NC Professional Engineering Firm License No. P-0336

By:	
Description:	
Date:	
No.:	

LANDSCAPE PLAN
 COOK OUT WILMINGTON
 4195 MARKET STREET
 WILMINGTON - NEW HANOVER COUNTY - NORTH CAROLINA

Scale:	AS NOTED
Date:	NOV. 2021
Drawn By:	DLP
Checked By:	HMSJ
Job No.:	E-6815

Sheet No. C-8

LANDSCAPE NOTES:

- THE LANDSCAPE CONTRACTOR SHALL MAKE HIMSELF AWARE OF EXISTING UTILITIES. HE SHALL NOTIFY THE RESPECTIVE PUBLIC UTILITIES PRIOR TO BEGINNING CONSTRUCTION. CALL 811 FOR PUBLIC UTILITIES LOCATES PRIOR TO WORK. PLANTING BEDS AND PLANT LOCATIONS SHALL BE STAKED BY THE CONTRACTOR AND APPROVED BY THE OWNER OR OWNER'S REPRESENTATIVE PRIOR TO INSTALLATION. PLANTING BEDS SHALL BE CLEARED OF ALL GRASS AND WEEDS PRIOR TO INSTALLATION OF PLANTS, AND SHALL BE CULTIVATED AS SHOWN ON THE PLANTING DETAILS. ALL DISTURBED AREAS TO BE SEED OR SEEDING UNLESS OTHERWISE NOTED. PLANTING BEDS SHALL HAVE 3" - 5" RIVER ROCK IN ENTIRE BED UNLESS OTHERWISE NOTED ON DRAWINGS. ALL PLANTED AREAS SHALL BE TREATED WITH A WATER-SOLUBLE HERBICIDE FOR THE NON-SELECTIVE CONTROL OF ANNUAL AND PERENNIAL WEEDS PRIOR TO PLANTING. ALL TREE AND SHRUB PITS SHALL BE BACKFILLED WITH A PLANTING SOIL MIXTURE OF 1 PART PEAT MOSS, 3 PARTS TOP SOIL AND 1 PART SAND, THOROUGHLY MIXED. ALL PLANTED AREAS TO BE FERTILIZED WITH GRANULAR FERTILIZER. CONTRACTOR TO PROVIDE SOIL TEST AND FERTILIZER APPLICATION RATES IF REQUIRED FOR APPROVAL. SPRAY TREES AND SHRUBS WITH AN ANTI-DESICCANT IF FOLIAGE IS PRESENT. EVERGREEN TREES AND SHRUBS SHALL BE PLANTED THE SAME AS DECIDUOUS MATERIAL. DO NOT PRUNE ANY MATERIAL UNTIL IT HAS BEEN VIEWED AND ACCEPTED BY THE OWNER OR OWNER'S REPRESENTATIVE. ALL PLANT MATERIAL TO BE NURSERY GROWN AND TO COMPLY WITH AMERICAN STANDARD FOR NURSERY STOCK ANSI-Z60-1-1986. ALL MATERIALS INSPECTED AT THE SITE AND FOUND NOT TO BE ACCEPTABLE SHALL BE REMOVED FROM THE SITE ON THE DAY OF REJECTION. IMMEDIATELY AFTER A TREE IS PLANTED, IT SHOULD BE SUPPORTED WITH STAKES AND GUY WIRES TO FIRMLY HOLD IT IN PLACE. (SEE DETAIL-THIS SHEET) REMOVE STAKES AND TIES AFTER ONE YEAR. THE LOWER TRUNKS OF NEW TREES SHOULD BE WRAPPED WITH BURLAP OR PAPER TO PREVENT EVAPORATION AND SUN SCALD. THE WRAPPING SHALL REMAIN ON THE TREE AT LEAST ONE YEAR. PLANT ALL TREES AT LEAST 3 1/2 FEET FROM THE END OF HEAD-ON PARKING SPACES TO PREVENT DAMAGE FROM CAR OVERHANG.

SYMBOL	COMMON NAME	BOTANICAL NAME	SIZE CLASSIFICATION	QUANTITY
	EXISTING CANOPY TREE	N/A	8' TALL 2" CAL.	2
	EXISTING UNDERSTORY TREE	N/A	7' TALL 2" CAL	12
	EXISTING DECIDUOUS SHRUB	N/A	2 GAL.	31
	EVERGREEN SHRUB	N/A	2 GAL.	83
	EXISTING PALM TREE	N/A	2 GAL.	2
	EXISTING PRIVACY BUSH	N/A	2 GAL.	43
	PROPOSED CREPE MYRTLE	LAGERSTROEMIA	7L TALL 2" CAL	19
	PROPOSED AZALEA	RHODODENDRON	2 GAL.	25
	PROPOSED DWARF VIBURNUM	VIBURNUM OBOVATUM	2 GAL.	26
	PROPOSED ZEBRA GRASS	VIBURNUM OBOVATUM	2 GAL.	27
	PROPOSED AMERICAN ELM	ULMUS AMERICANA	MIN. 2" CAL.	6

STREETYARD CALC.

FRONT YARD L.F.: 171 LF
 MIN. LANDSCAPE BUFFER: 18'
 SQ. FOOTAGE: 1539 SF.
 3 UNDERSTORY TREES EVERY 600 SF.
 6 SHRUBS EVERY 600 SF.

EXISTING FRONT STREETYARD:
 4 UNDERSTORY TREES
 50 SHRUBS

PROPOSED FRONT STREETYARD PLANTING:
 4 CREPE MYRTLE TREES

SIDE YARD L.F.: 227 LF
 MIN. LANDSCAPE BUFFER: 10'
 REQUIRED:
 4 UNDERSTORY TREES PER 100 LF
 25 SMALL SHRUBS PER 100 LF

EXISTING PLANTING TREES
 1 CANOPY TREE
 1 UNDERSTORY TREE
 5 EXISTING SHRUBS

PROPOSED LANDSCAPE
 7 CREPE DOGWOOD TREES
 26 AZALEAS SHRUBS
 25 DWARF VIBURNUM SHRUBS

ISLAND LANDSCAPING PROPOSED
 27 ZEBRA GRASS PLANTS
 3 CREPE MYRTLES TREES

REAR YARD L.F.: 217 LF
 MIN. LANDSCAPE BUFFER: 9'
 SQ. FOOTAGE: 1679 SF.
 3 UNDERSTORY TREES EVERY 600 SF.
 6 SHRUBS EVERY 600 SF.

EXISTING REAR STREETYARD:
 0 UNDERSTORY TREES
 34 SHRUBS

PROPOSED REAR STREETYARD PLANTING:
 8 CREPE MYRTLES TREES

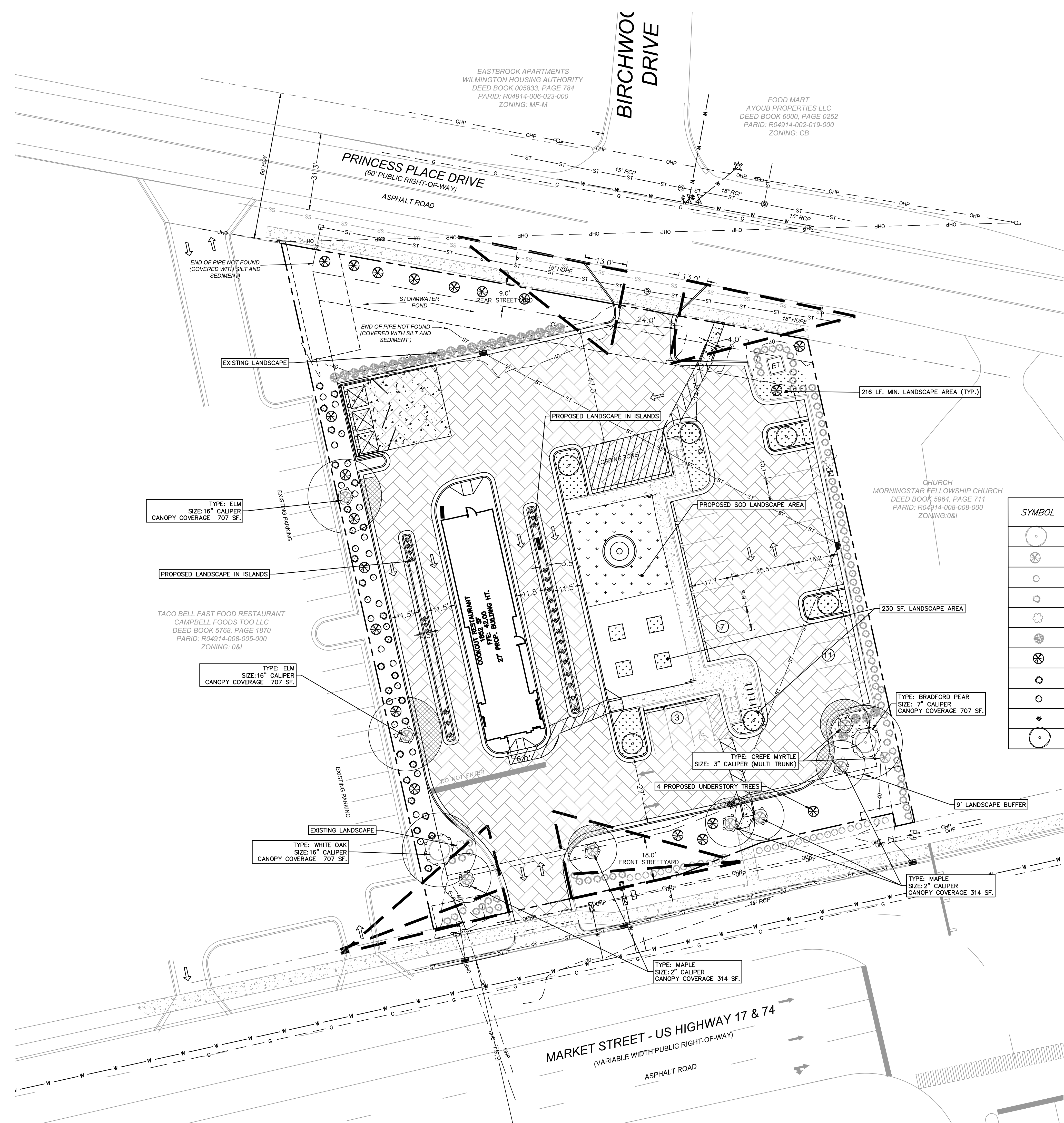
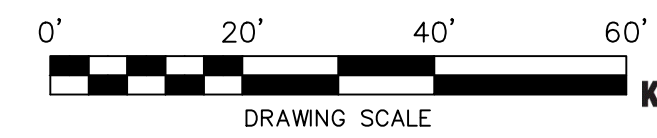
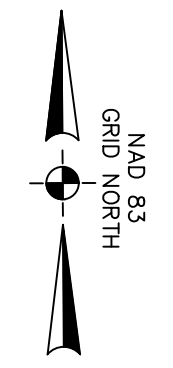
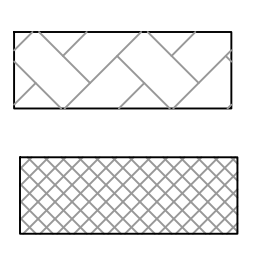
CANOPY COVERAGE CALCULATION

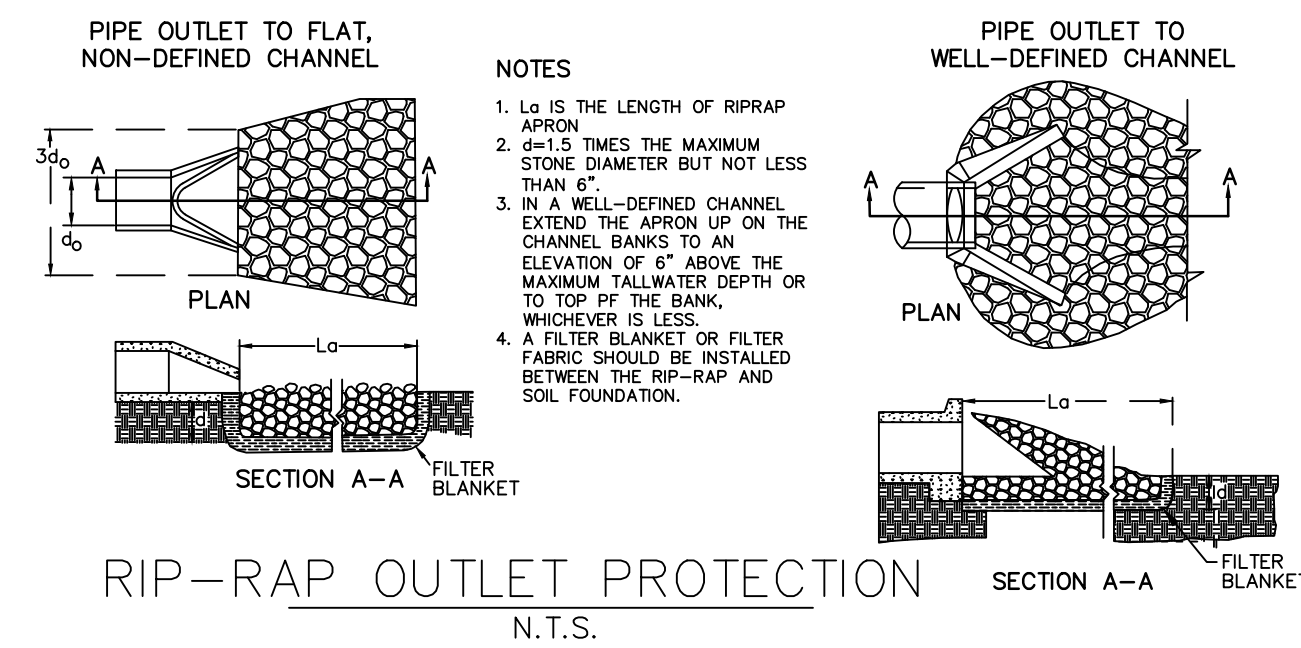
PARKING FACILITY AREA: 24,907 SF

EXISTING CANOPY COVERAGE: 752 SF

$24,907 \times 20\% = 4,981 \text{ SF} - 752 \text{ SF} = 4,229 \text{ SF REQ'D}$

$4,229 / 707 = 6 \text{ CANOPY TREES REQUIRED}$





RIP-RAP OUTLET PROTECTION
N.T.S.

PERMANENT SEEDING

DEFINITION
Seeding disturbed areas with perennial grasses and (or) legumes to provide a permanent vegetative cover to lessen runoff and soil erosion.

PURPOSE
To lessen soil erosion and permanently stabilize disturbed areas created by grading of construction sites.

CONDITIONS WHERE PRACTICE APPLIES
All bare soil areas on construction sites which are not covered by structures or other erosion control devices.

PREPARATION
Prepare seedbed by ripping, chiseling, harrowing or plowing to depth of six inches so as to produce a loose, friable surface. Remove all stones, boulders, stumps or debris from the surface which would prohibit germination or plant growth. Spread topsoil in a layer 3" - 6" depth.

Incorporate into the soil 800 to 1,000 pounds of 10-10-10 fertilizer plus 500 pounds of twenty percent (20%) superphosphate per acre and two tons of dolomitic lime per acre unless soil tests indicate that a lower rate of lime can be used.

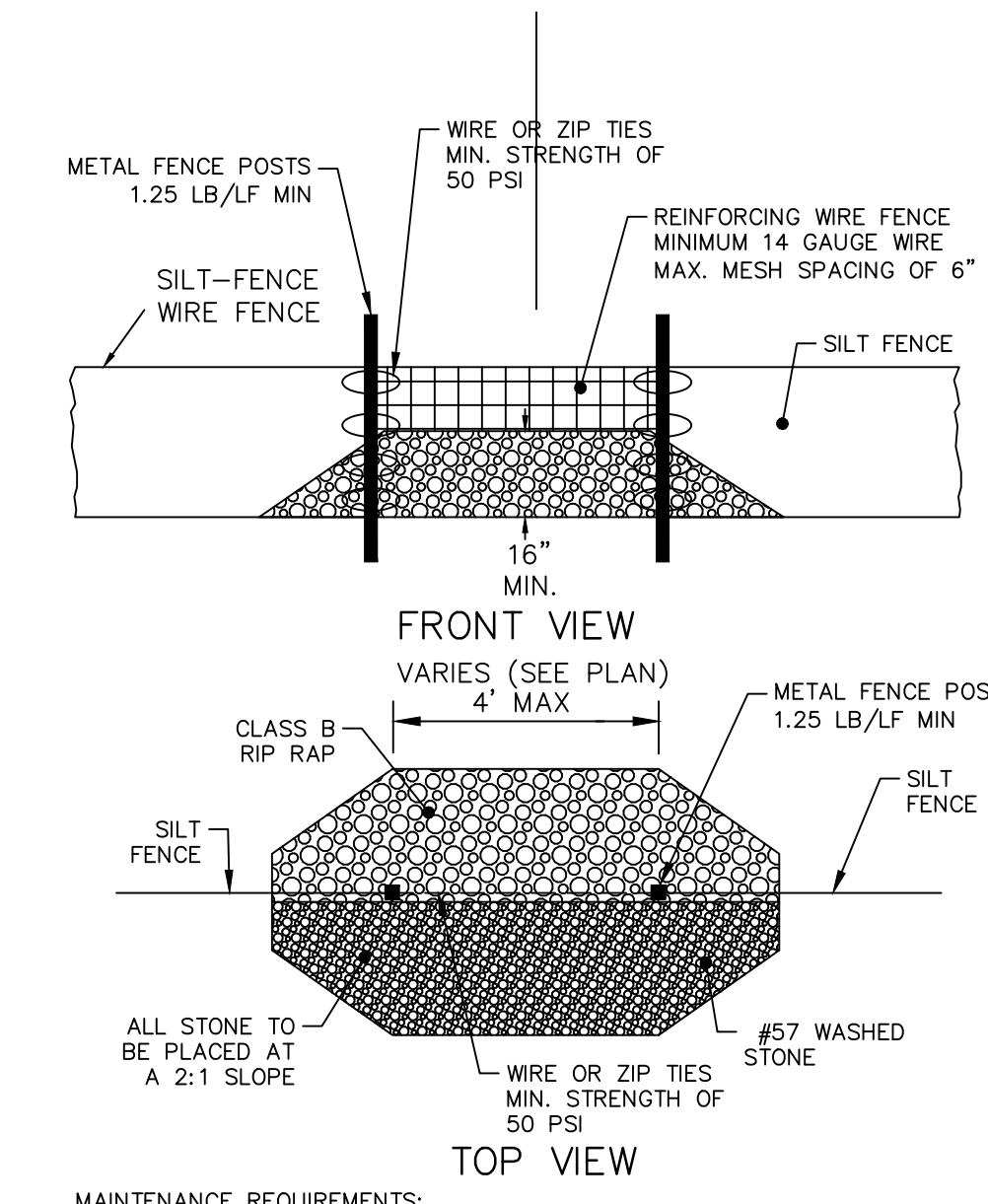
Mulch after seeding with 1.5 tons of grain straw per acre and either crimp straw into soil or tack with liquid asphalt at 400 gallons per acre or emulsified asphalt at 300 gallons per acre.

PLANTS & MIXTURE	PLANTING RATE/ACRE	PLANTING DATES
Tall Fescue (Low Maintenance)	100-150 lbs.	Aug. 15 - Oct. 15 Feb. 15 - May 1
Tall fescue Waterways and Lawns (High Maint.)	200-250 lbs.	Aug. 15 - Oct. 15 Feb. 15 - May 1
Blend of two turf-type tall Fescues (90%) and two or more improved Kentucky bluegrass varieties (10%) (high maintenance)	200-250 lbs.	Aug. 15 - Oct. 15 Feb. 15 - May 1
Tall Fescue and Kobe or Korean Lespedeza	100 lbs. and 20-25 lbs.	Feb. 15 - May 1 Aug. 15 - Oct. 15
Tall Fescue	50 lbs./acre	Nov. 1 - Feb. 1 (Unscarified)
Tall Fescue and German Millet or Sudangrass 2	60 lbs. and 30 lbs.	July and August
Tall Fescue and Ryegrass 2	70 lbs. and 25 lbs.	Nov. 1 - Jan. 30
Common Bermudagrass	8 lbs. (hulled) 15-20 lbs. (unhulled)	April 15 - June 30 Feb. 1 - March 30

1 For spring seedings, use Scarified Lespedeza seed. For late fall and winter seedings, use unscarified seed.

2 Annuals such as Millet, Sudangrass and Ryegrass must be kept at 10-12" maximum height.

PERMANENT GROUND COVER
Permanent groundcover is to be provided for all disturbed areas within 15 working days or 90 calendar days (whichever is shorter) following completion of construction or development.



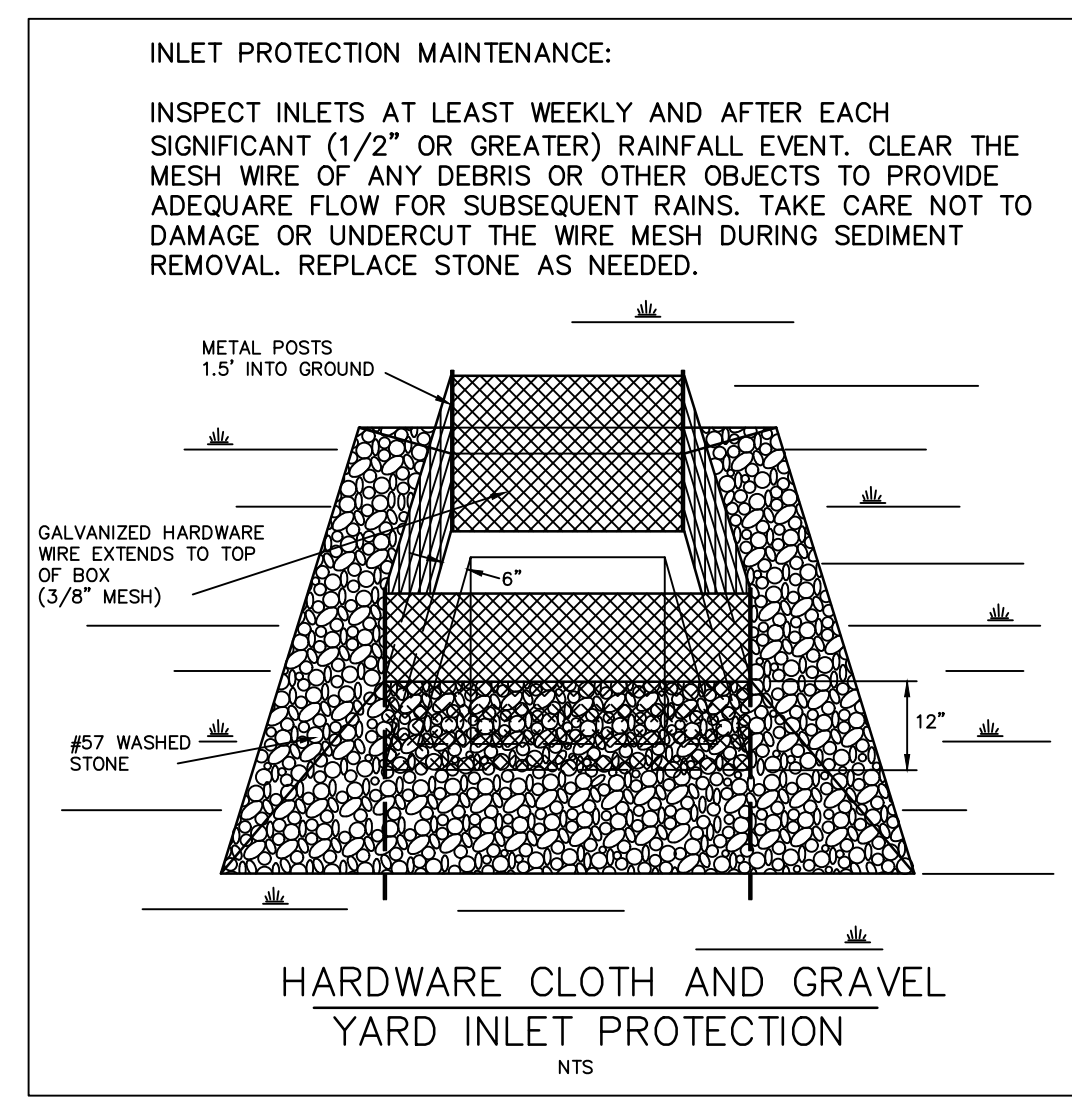
MAINTENANCE REQUIREMENTS:

- INSPECT SEDIMENT FENCES AT LEAST ONCE A WEEK AND AFTER EACH RAINFALL. MAKE ANY REQUIRED REPAIRS IMMEDIATELY.
- SHOULD THE FABRIC OF A SEDIMENT FENCE COLLAPSE, TEAR, DECOMPOSE, OR BECOME INEFFECTIVE, REPLACE IT PROMPTLY.
- REMOVE SEDIMENT DEPOSITS AS NECESSARY TO PROVIDE ADEQUATE STORAGE VOLUME FOR THE NEXT RAIN AND TO REDUCE PRESSURE ON THE FENCE. TAKE CARE TO AVOID UNDERMINING THE FENCE DURING CLEANOUT.
- REMOVE ALL FENCING MATERIAL AND UNSTABLE SEDIMENT DEPOSITS AND BRING THE AREA TO GRADE AND STABILIZE IT AFTER THE CONTRIBUTING DRAINAGE AREA HAS BEEN PROPERLY STABILIZED.

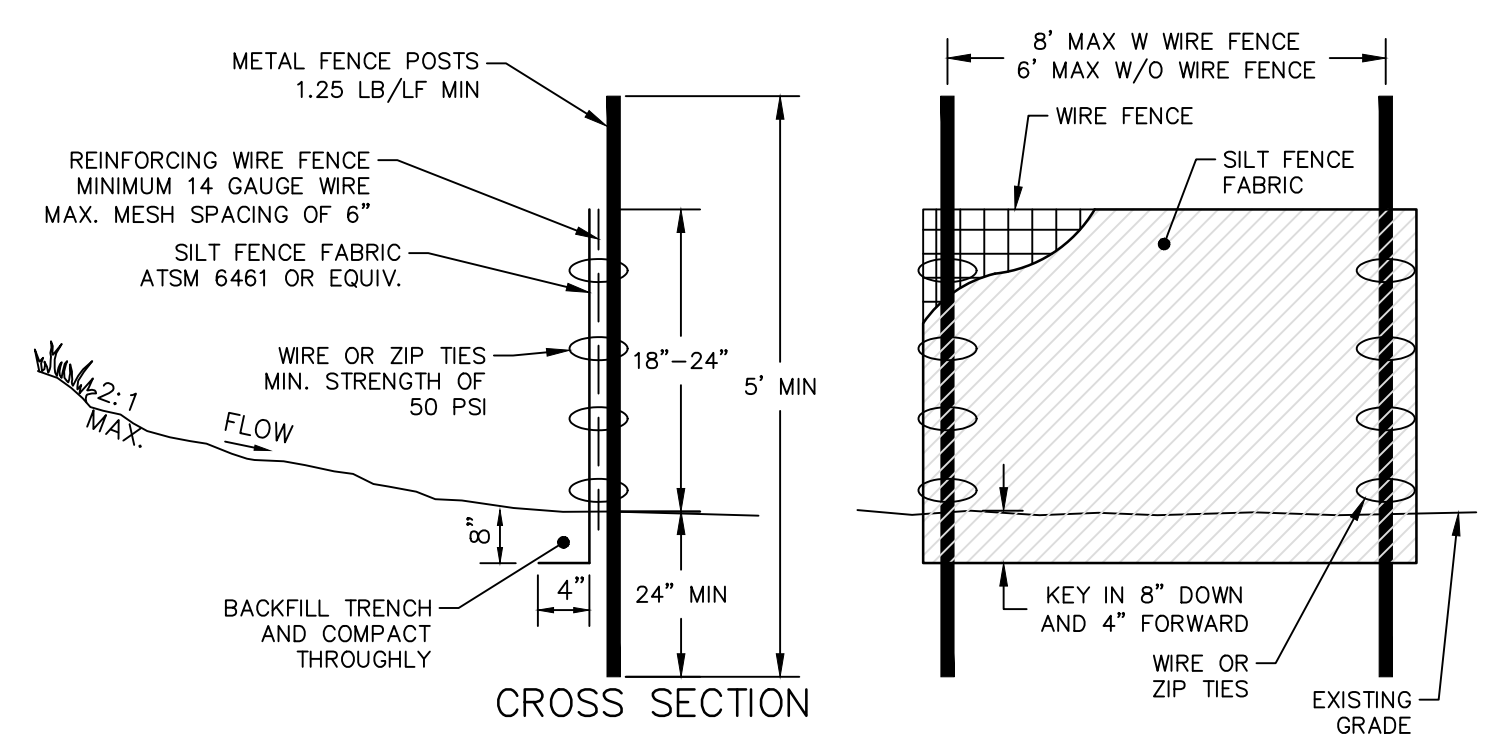
SILT FENCE STONE OUTLET
N.T.S.

TEMPORARY SEEDING SPECIFICATIONS

Recommended Seeding Dates	Species	Application Rates (lb/ac)			
		Seed	10-10-10 Fertilizer	Agricultural Limestone	Straw
Jan. 1 - May 1	Winter Wheat Annual Lespedeza (Kobe)	120 50	750	2,000	4,000
May 1 - Aug 15	German Millet	40	750	2,000	4,000
Aug 15 - Dec 30	Ryegrass	120	1,000	2,000	4,000



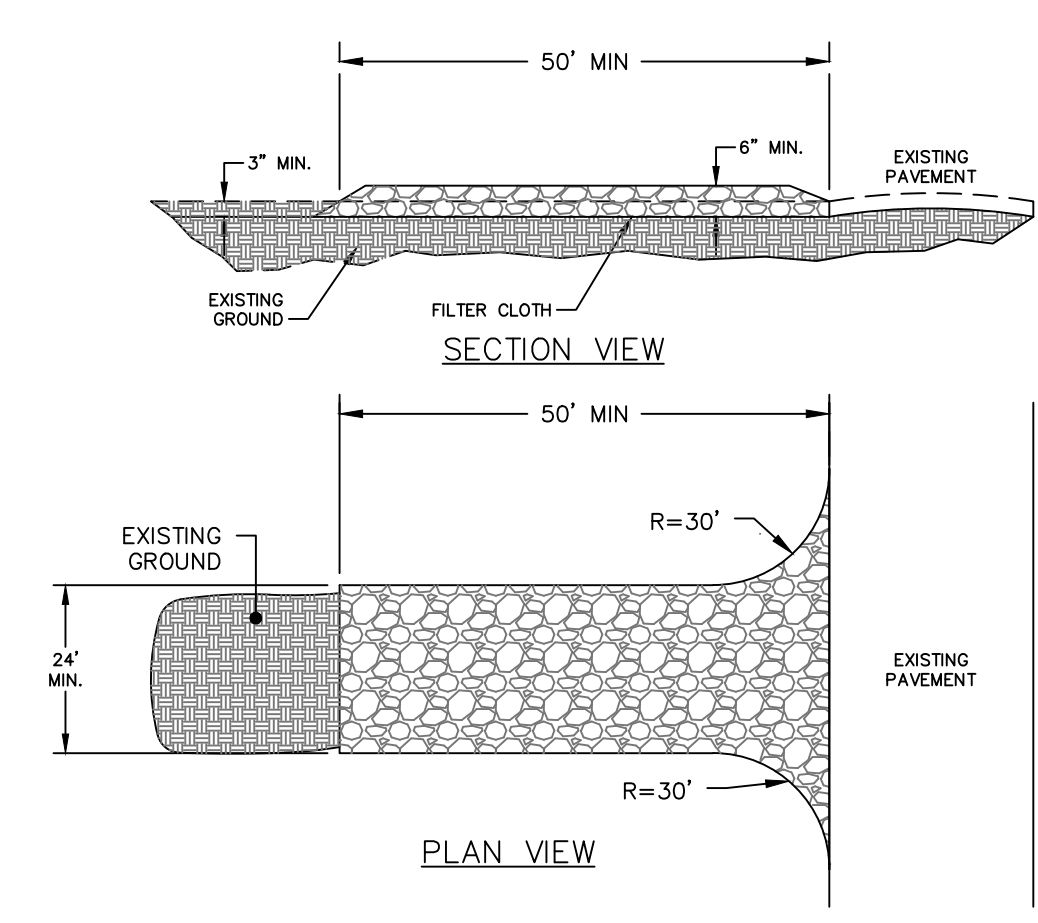
HARDWARE CLOTH AND GRAVEL YARD INLET PROTECTION
NTS



MAINTENANCE REQUIREMENTS:

- INSPECT SEDIMENT FENCES AT LEAST ONCE A WEEK AND AFTER EACH RAINFALL. MAKE ANY REQUIRED REPAIRS IMMEDIATELY.
- SHOULD THE FABRIC OF A SEDIMENT FENCE COLLAPSE, TEAR, DECOMPOSE, OR BECOME INEFFECTIVE, REPLACE IT PROMPTLY.
- REMOVE SEDIMENT DEPOSITS AS NECESSARY TO PROVIDE ADEQUATE STORAGE VOLUME FOR THE NEXT RAIN AND TO REDUCE PRESSURE ON THE FENCE. TAKE CARE TO AVOID UNDERMINING THE FENCE DURING CLEANOUT.
- REMOVE ALL FENCING MATERIAL AND UNSTABLE SEDIMENT DEPOSITS AND BRING THE AREA TO GRADE AND STABILIZE IT AFTER THE CONTRIBUTING DRAINAGE AREA HAS BEEN PROPERLY STABILIZED.

TEMPORARY SILT FENCE
NTS



CONSTRUCTION SPECIFICATIONS

1. STONE - USE COARSE AGGREGATE (2-3 INCH STONE)
2. LENGTH - 50' MIN
3. THICKNESS - NOT LESS THAN SIX(6) INCHES
4. WIDTH - NOT LESS THAN FULL WIDTH OF ALL POINTS OF INGRESS OR EGRESS
5. WASHING - WHEN NECESSARY, WHEELS SHALL BE CLEANED TO REMOVE SEDIMENT PRIOR TO ENTRANCE ONTO PUBLIC RIGHT-OF-WAY. WHEN WASHING IS REQUIRED, IT SHALL BE DONE ON AN AREA STABILIZED WITH CRUSHED STONE WHICH DRAINS INTO AN APPROVED SEDIMENT TRAP OR SEDIMENT BASIN. ALL SEDIMENT SHALL BE PREVENTED FROM ENTERING ANY STORM DRAIN, DITCH, OR WATERCOURSE. THROUGH USE OF SAND BAGS, GRAVEL, BOARDS OR OTHER APPROVED METHODS.
6. MAINTENANCE - THE ENTRANCE SHALL BE MAINTAINED IN A CONDITION WHICH WILL PREVENT TRACKING OR FLOWING OF SEDIMENT ONTO PUBLIC RIGHT-OF-WAY. THIS MAY REQUIRE PERIODIC TOP DRESSING WITH ADDITIONAL STONE AS CONDITIONS DEMAND AND REPAIR AND/OR CLEANOUT OF ANY MEASURES USED TO TRAP SEDIMENT. ALL SEDIMENT SPILLED, DROPPED, WASHED, OR TRACKED ONTO PUBLIC RIGHT-OF-WAY MUST BE REMOVED IMMEDIATELY.

TEMPORARY CONSTRUCTION ENTRANCE
NTS



Summey Engineering Associates, PLLC
Engineering - Land Planning - Consulting

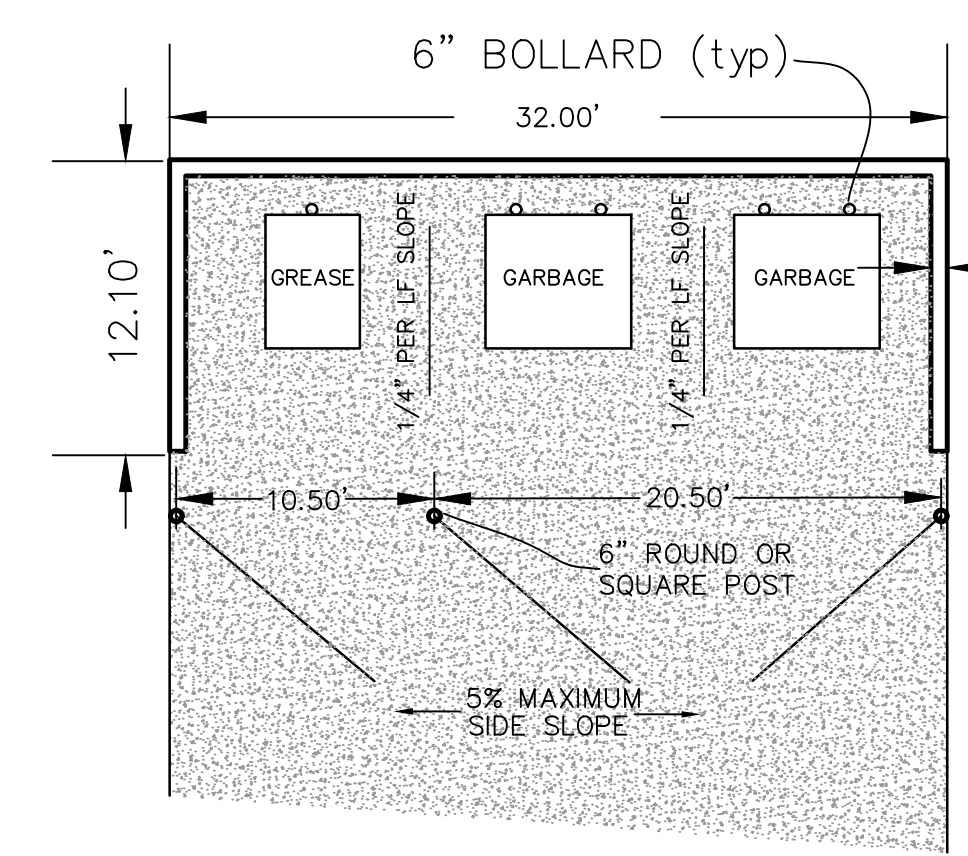
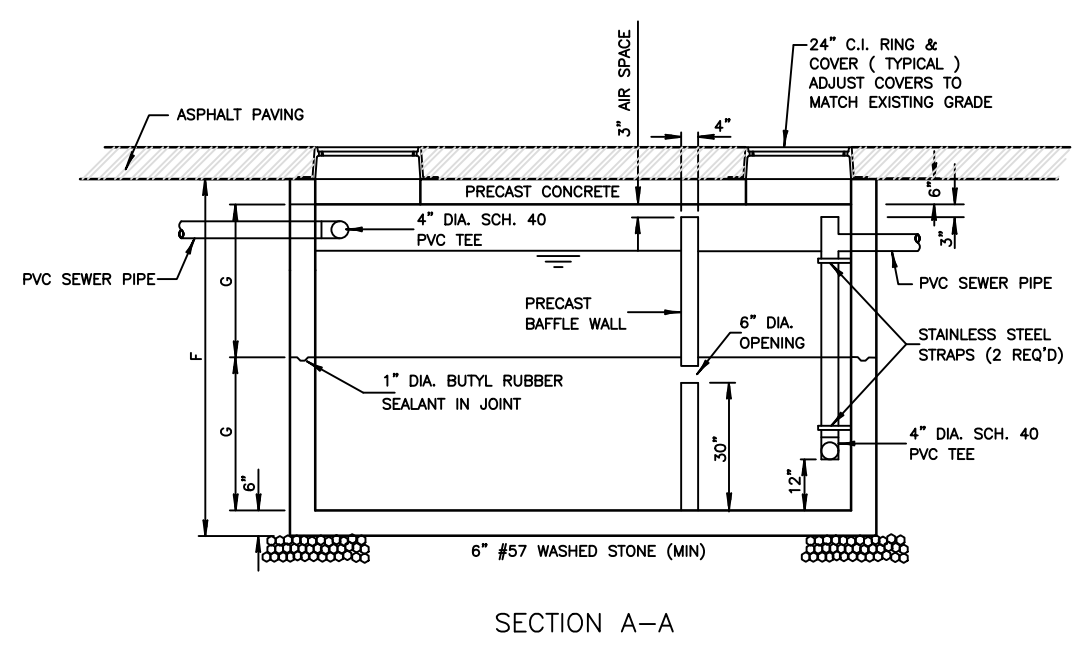
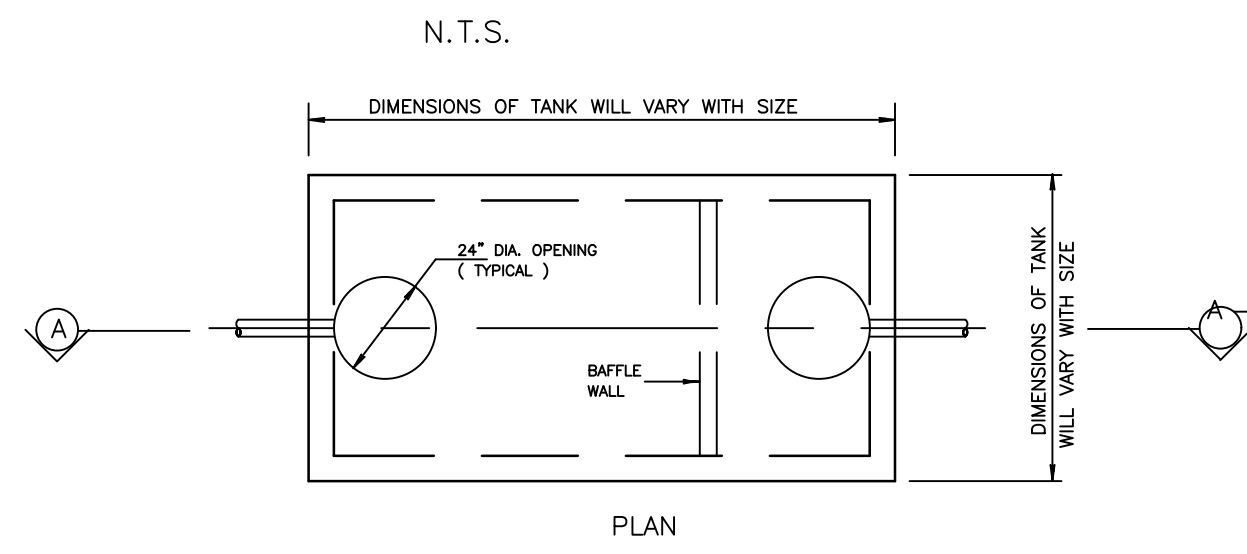
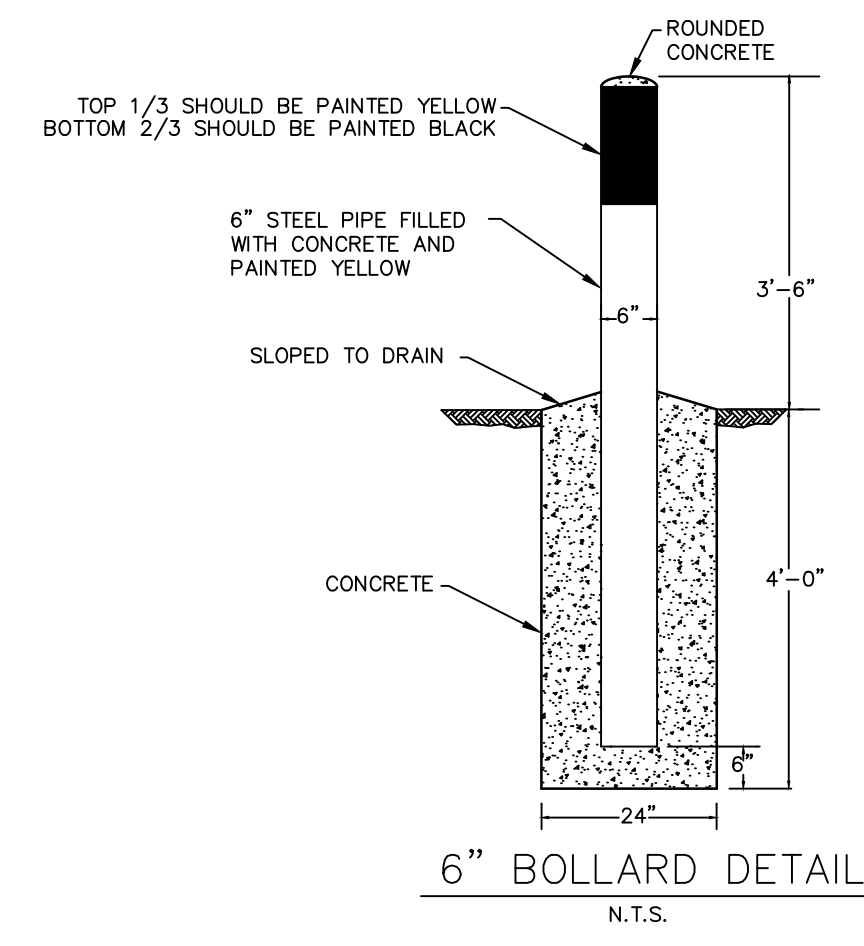
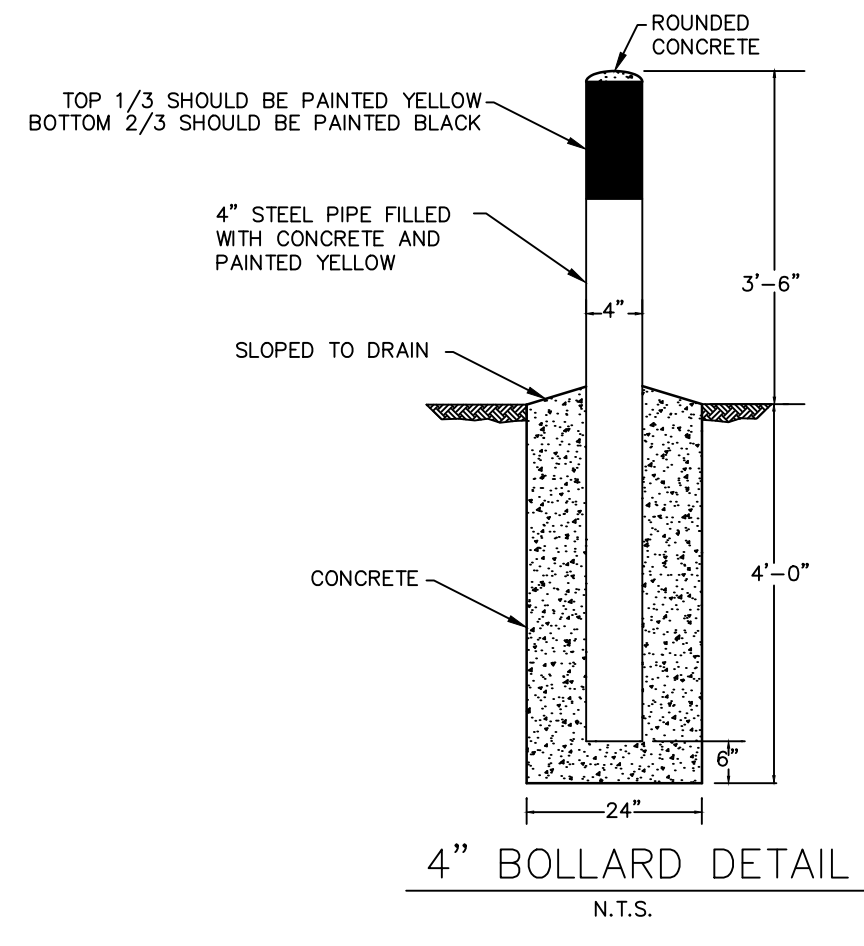
PO Box 968
Asheboro, NC 27204
Phone: 336-324-0902 Fax: 336-324-0922
E-mail: info@summeyengineering.com
NC Professional Engineering Firm License No. P-0336

By:	
Description:	
Date:	
No.:	

EROSION CONTROL DETAILS
COOK OUT WILMINGTON
4195 MARKET STREET
WILMINGTON - NEW HANOVER COUNTY - NORTH CAROLINA

Scale:	AS NOTED
Date:	NOV. 2021
Drawn By:	DJP
Checked By:	HMSJ
Job No.:	E-6815





DUMPSTER ENCLOSURE DETAIL
NOT TO SCALE

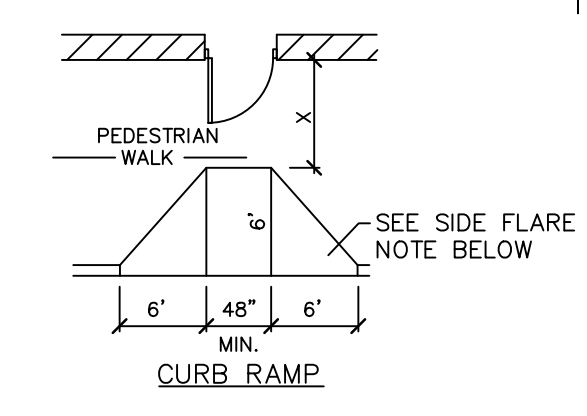
ADJOINING SLOPE SHALL NOT EXCEED 1:20

WALK

STREET

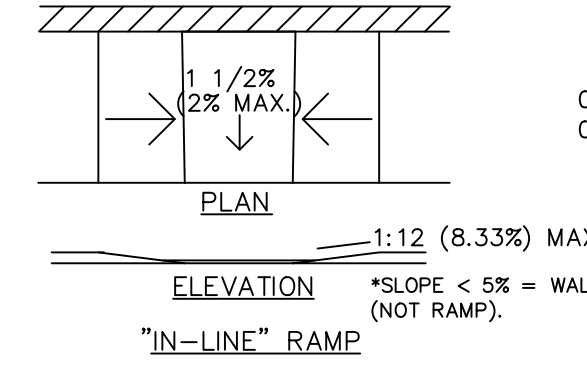
SLOPE = Y:X
WHERE X IS A LEVEL PLANE

MEASUREMENT OF CURB RAMP SLOPE



"X" IS 60" MIN. AT AN OUT SWING DOOR WITH A SLOPE OF 1:50 (2%) MAXIMUM. LEVEL SURFACE IS PREFERRED.

SIDE FLARE NOTE: (SEE REFERENCE DIAGRAM ABOVE). SIDE FLARES SHALL HAVE A MAXIMUM SLOPE OF 1:10 (10%) WHERE "X" IS LESS THAN 48". SIDE FLARE SLOPE SHALL BE 1:12 (8.33%) MAXIMUM. WHERE "X" IS LESS THAN 36".



NOTES:

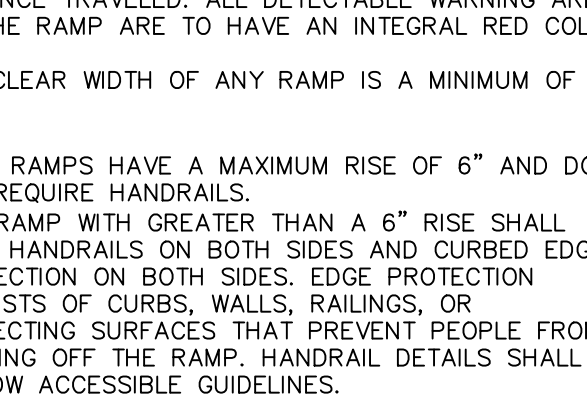
A CURB RAMP(S) MUST ALSO BE PROVIDED IN THE PARKING LOT AT ALL INTERMEDIATE AND PERIMETER CURBS ALONG THE ACCESSIBLE ROUTE CONNECTING TO PUBLIC SIDEWALKS.

A RAMP IS ANY SLOPE GREATER THAN 1:20 (5%) AND SHALL HAVE A MAXIMUM SLOPE OF 1:12 (8.33%). THE MAXIMUM SLOPE IS 1" OF RISE PER FOOT OF DISTANCE TRAVELED. ALL DETECTABLE WARNING AREAS OF THE RAMP ARE TO HAVE AN INTEGRAL RED COLOR.

THE CLEAR WIDTH OF ANY RAMP IS A MINIMUM OF 48".

CURB RAMP HAVE A MAXIMUM RISE OF 6" AND DO NOT REQUIRE HANDRAILS.

ANY RAMP WITH GREATER THAN A 6" RISE SHALL HAVE HANDRAILS ON BOTH SIDES AND CURBED EDGE PROTECTION ON BOTH SIDES. EDGE PROTECTION CONSISTS OF CURBS, WALLS, RAILINGS, OR PROJECTING SURFACES THAT PREVENT PEOPLE FROM SLIPPING OFF THE RAMP. HANDRAIL DETAILS SHALL FOLLOW ACCESSIBLE GUIDELINES.



LATEX OR EPOXY MODIFIED CEMENT MORTAR LEVELING COURSE.

TRUNCATED DOME PAVERS W/ SEALED GROUT JOINTS

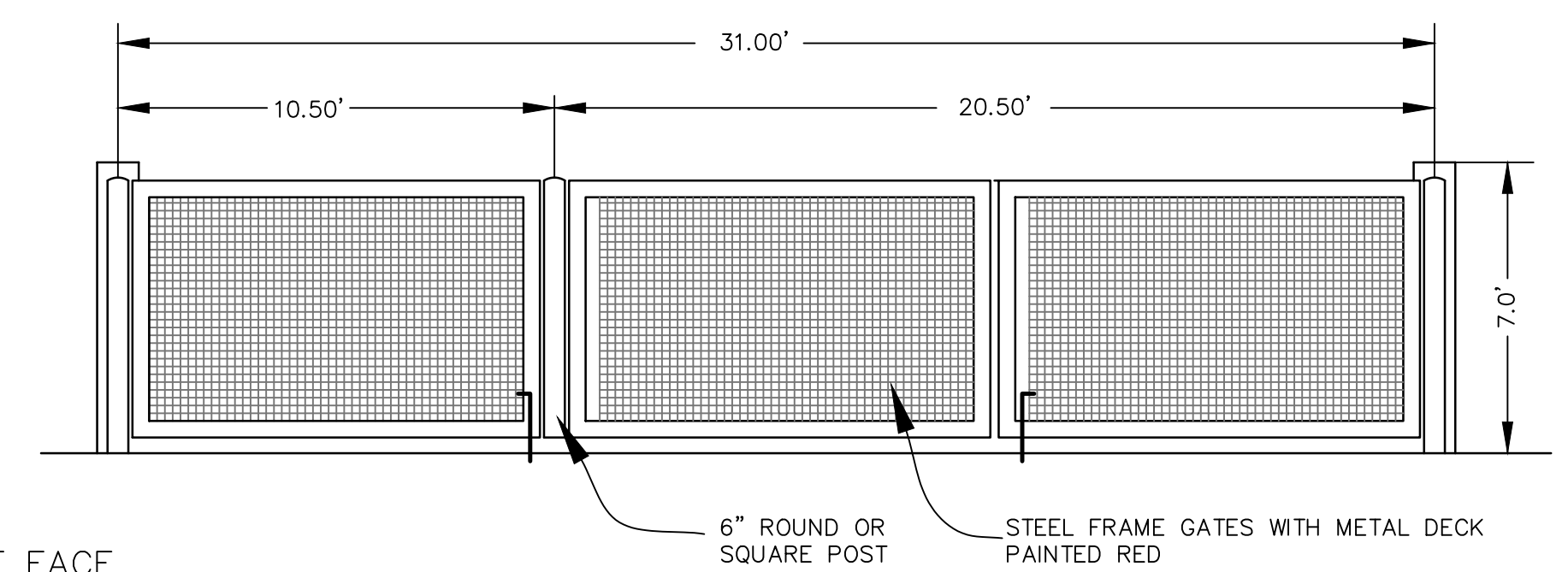
6" (W/ PAVERS)

3" MIN. OR FULL RAMP

1/4"

*WHERE SLOPE CAN BE REDUCED TO BELOW 5% BY EXTENDING LENGTH (RUN) OF SLOPE, INTEGRAL COLOR CONCRETE AND DETECTABLE WARNINGS CAN BE MINIMIZED. THIS TYPICALLY OCCURS AT THE ENDS OF WALKS AWAY FROM OUR ENTRY.

RAMP DETAIL IS FOR INTERNAL WALKWAYS ONLY
NOT FOR STREET SIDEWALK RAMPS



TYPICAL FRONT ELEVATION

NOTES:

- ALL JOINTS IN THE PRECAST CONCRETE STRUCTURE MUST BE SEALED WITH A 1:1 CAULKED JOINT OF A PREMIUM GRADE, MOISTURE CURED, ONE COMPONENT, POLYURETHANE BASED, NON-SAG ELASTOMETRIC SEALANT, SIKAFLEX 1-A, OR EQUAL, IN ADDITION TO THE PRECAST CONCRETE STRUCTURE MANUFACTURER'S STANDARD SEALANT.
- ALL PRE-FABRICATED TANKS MUST BE CONSTRUCTED OF 4000 PSI REINFORCED CONCRETE WITH MINIMUM SUPPORT VALUES FOR H-20 BRIDGE LOADING.
- CONTRACTOR TO CONFIRM INVERT ELEVATIONS OF EXISTING SEWER PIPES BEFORE ORDERING GREASE TRAPS. IF NECESSARY CONTRACTOR TO INSTALL CONCRETE OR MASONRY RISERS TO INSURE RING AND COVERS ARE AT GRADE.
- ALL TANKS SHALL BE APPROVED BY THE LOCAL MUNICIPALITY
- VERIFY TANK SIZE AND DIMENSIONS WITH PLUMBING PLANS



Summey Engineering Associates, PLLC
Engineering - Land Planning - Consulting

By: _____
Description: _____
No. _____
Date: _____

STANDARD DETAILS

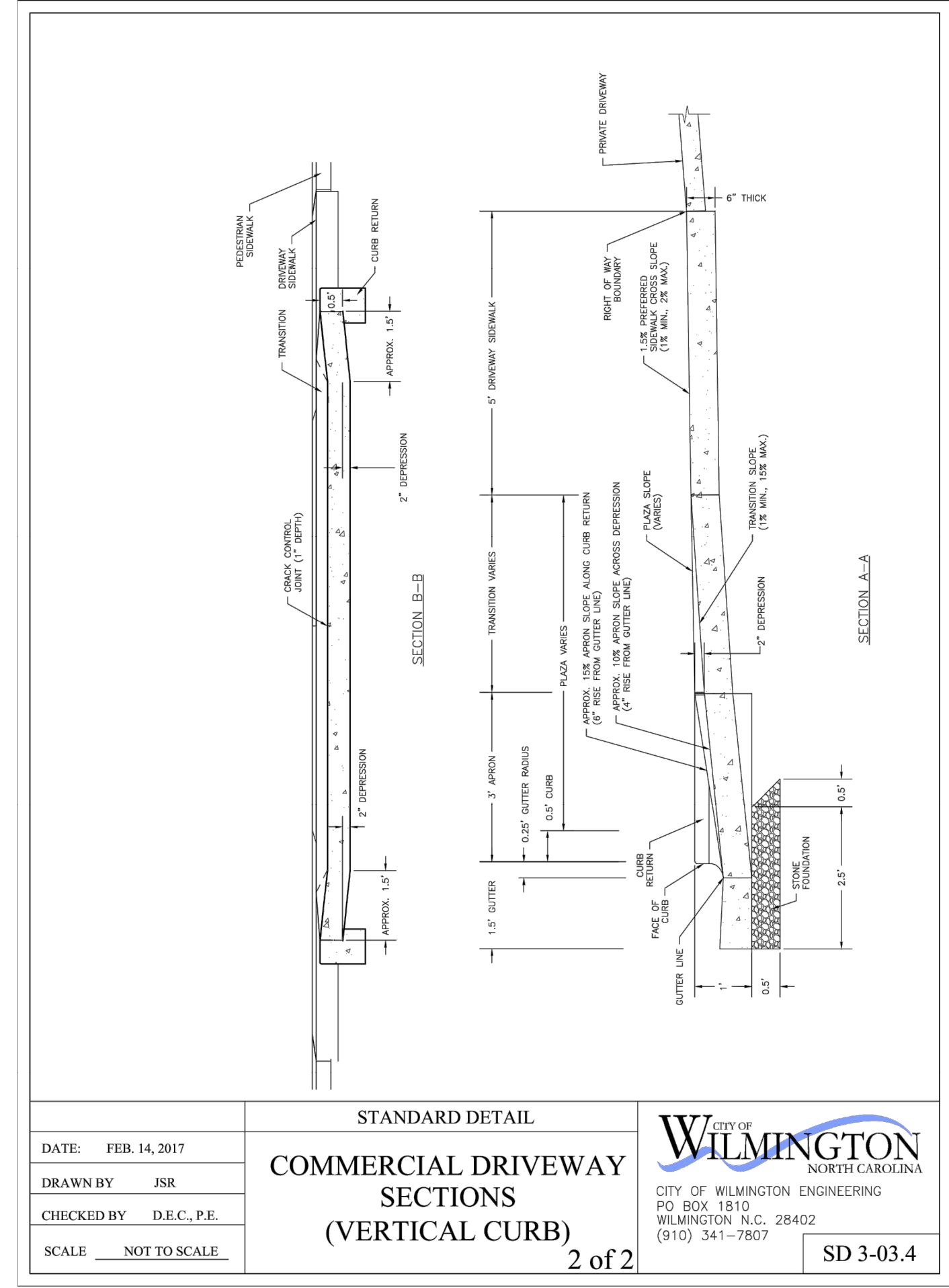
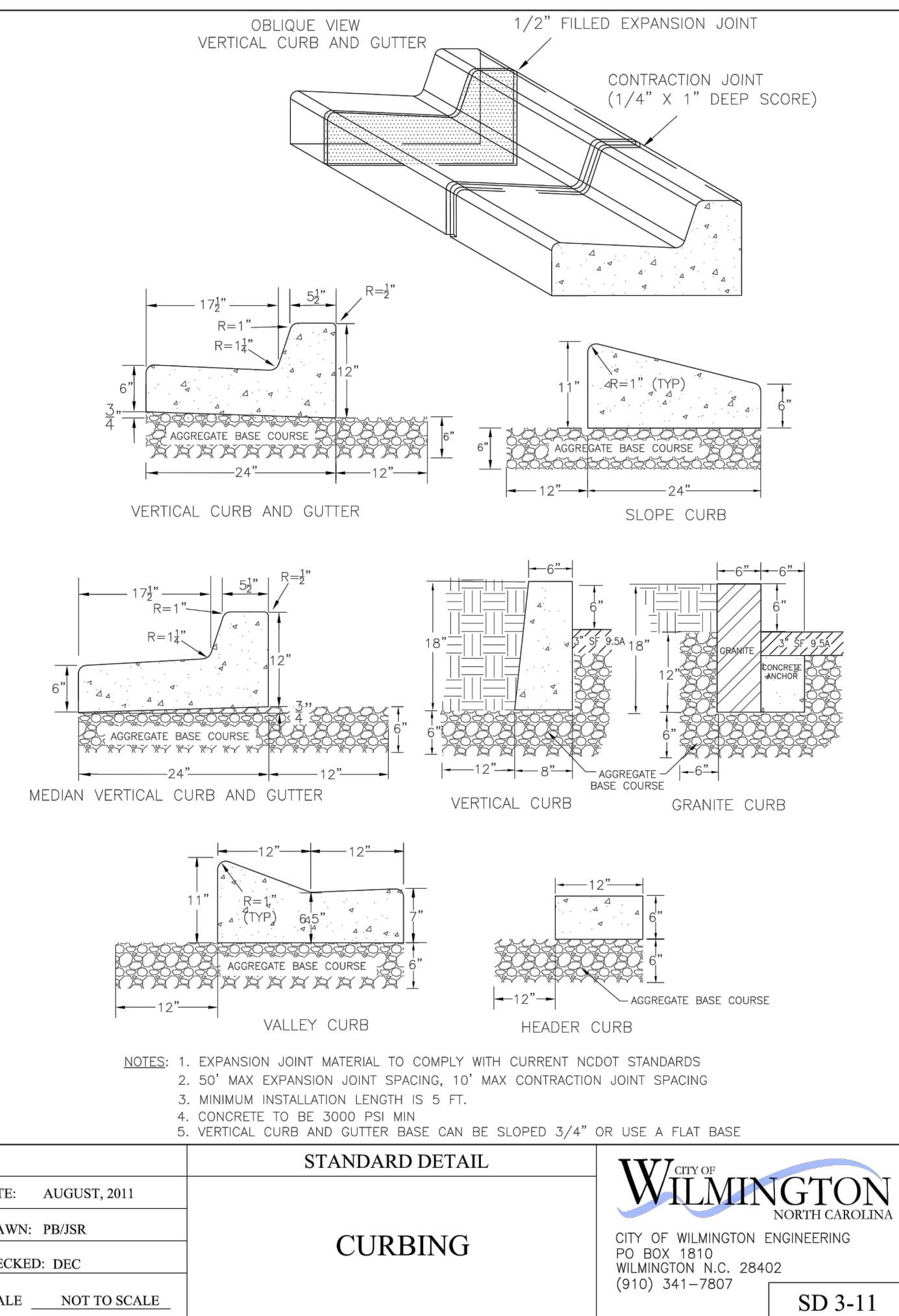
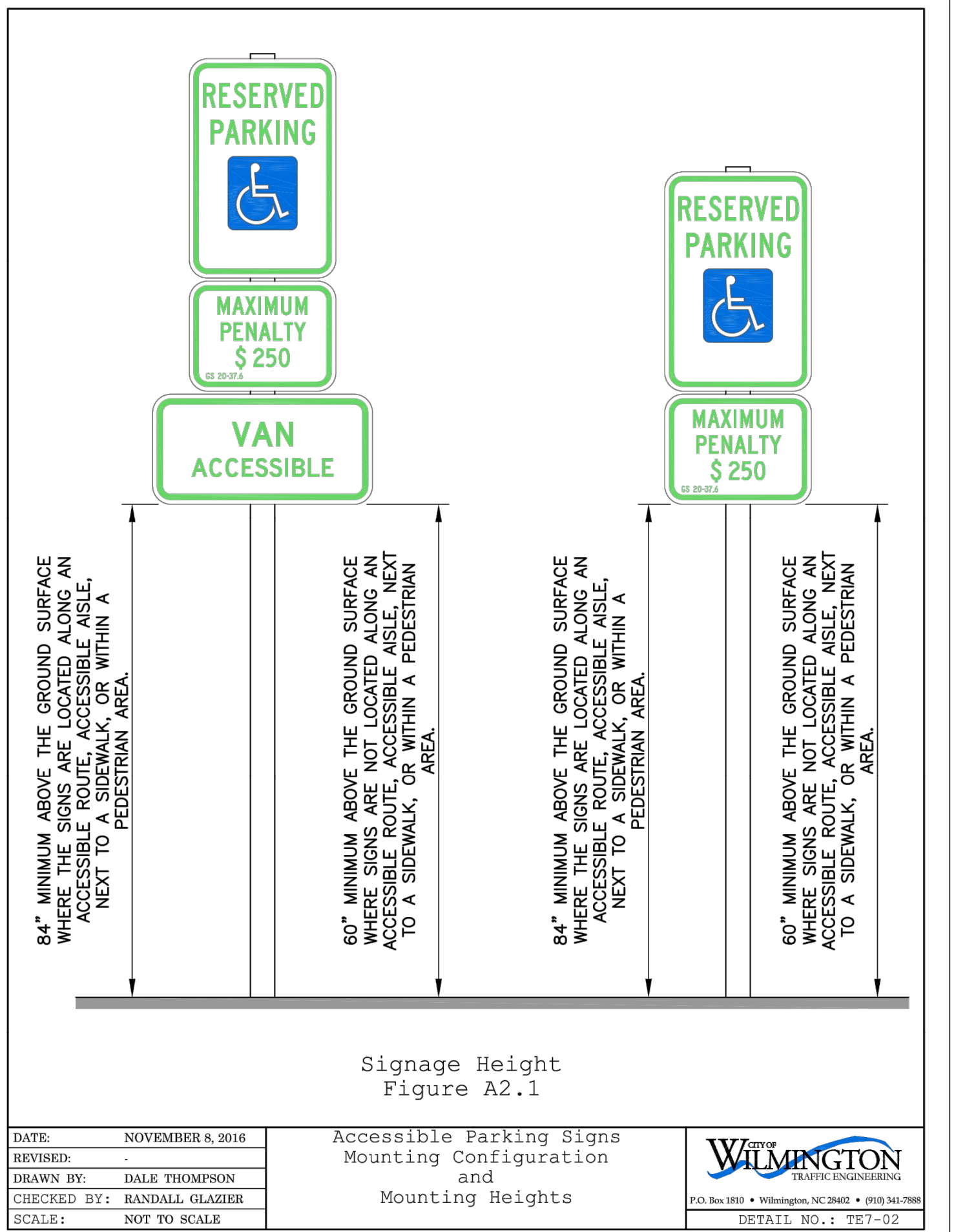
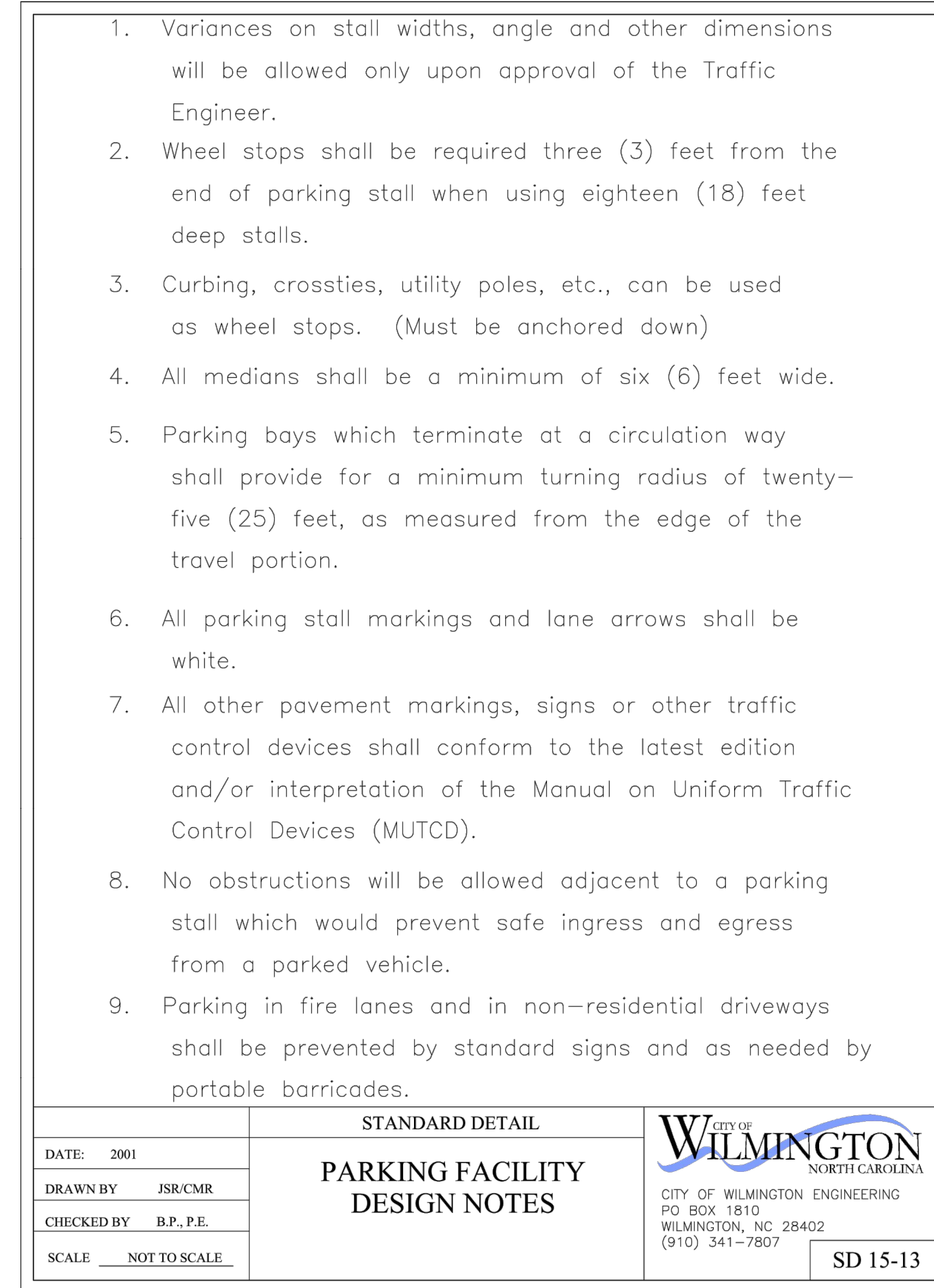
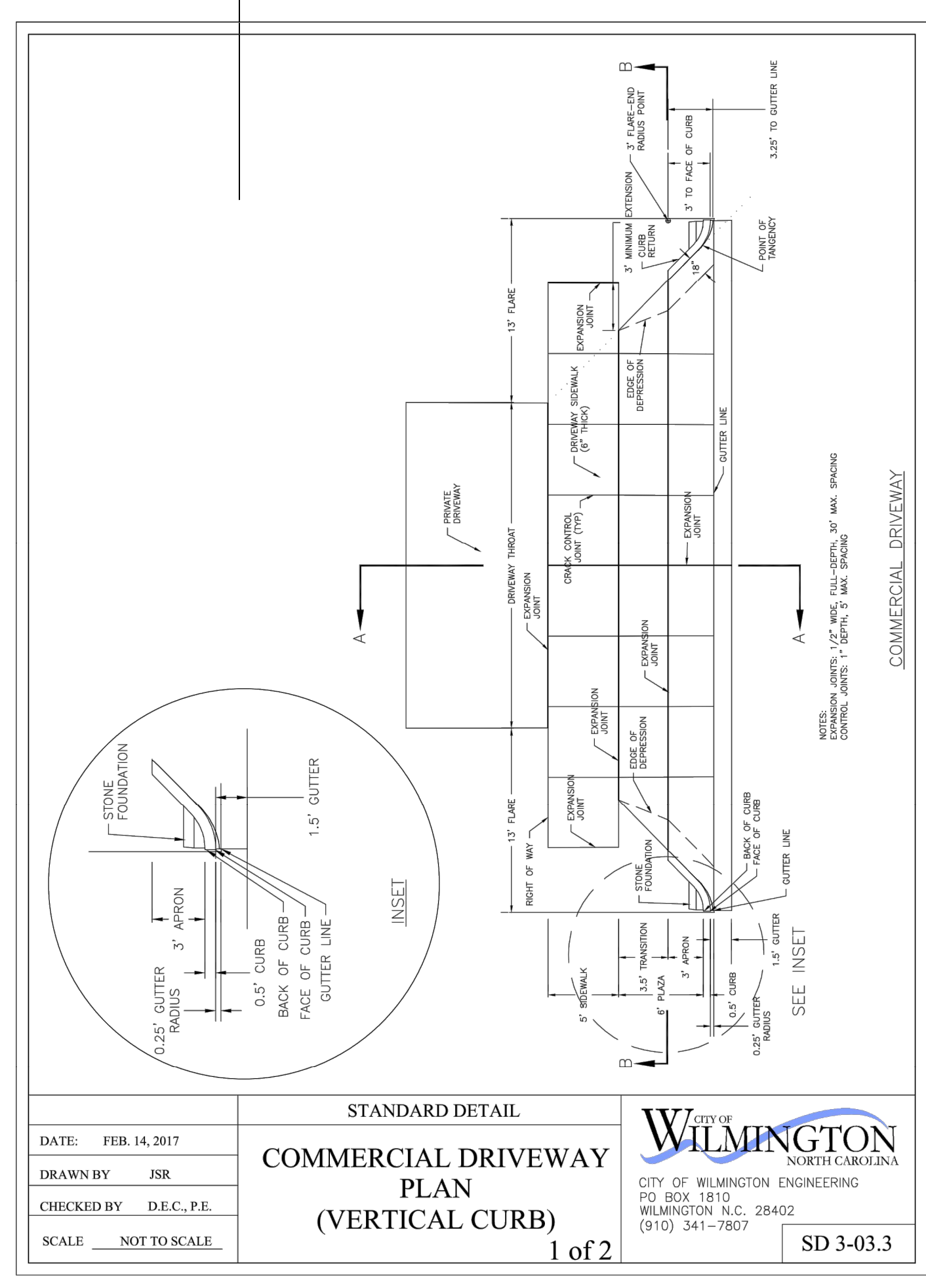
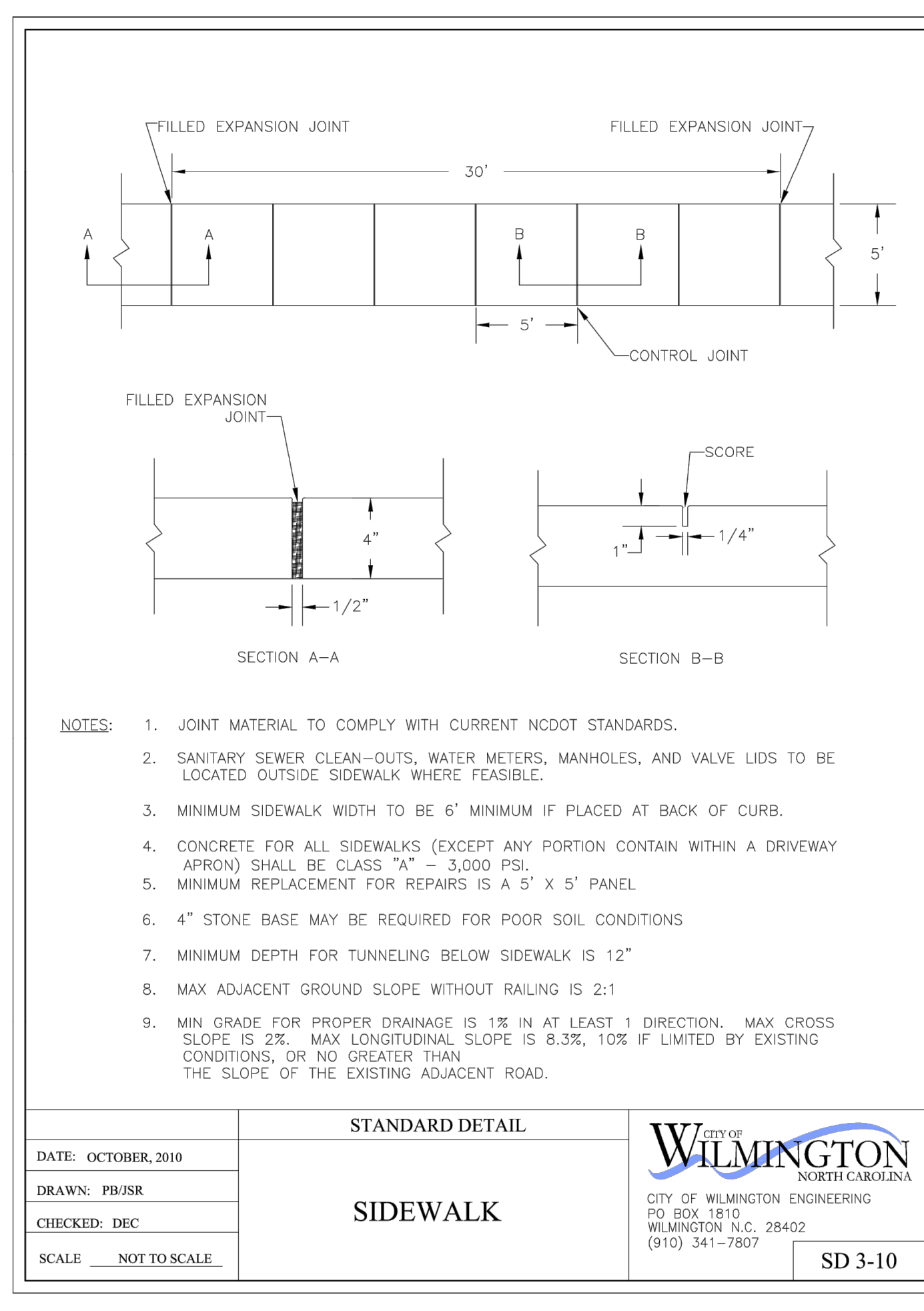
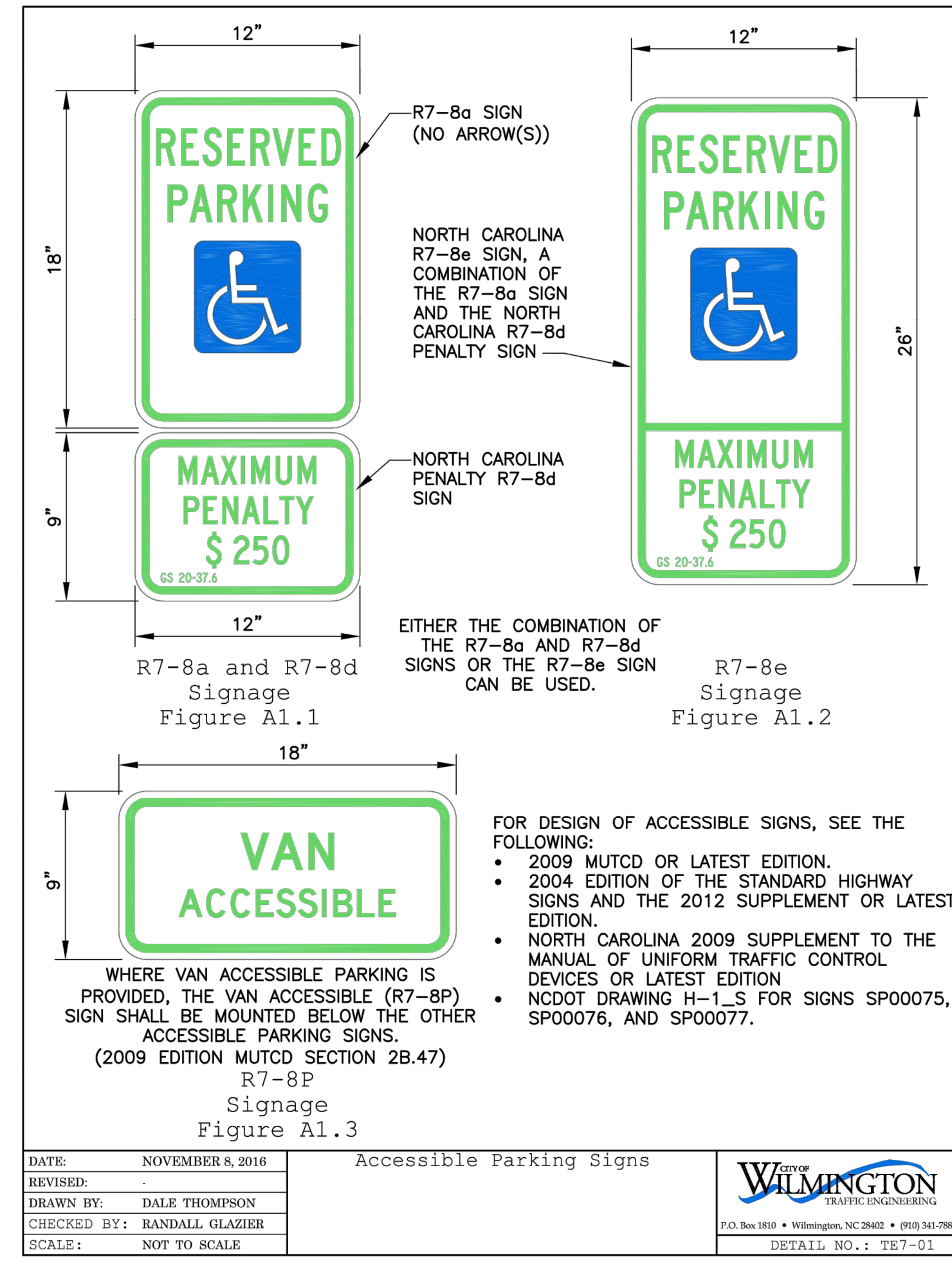
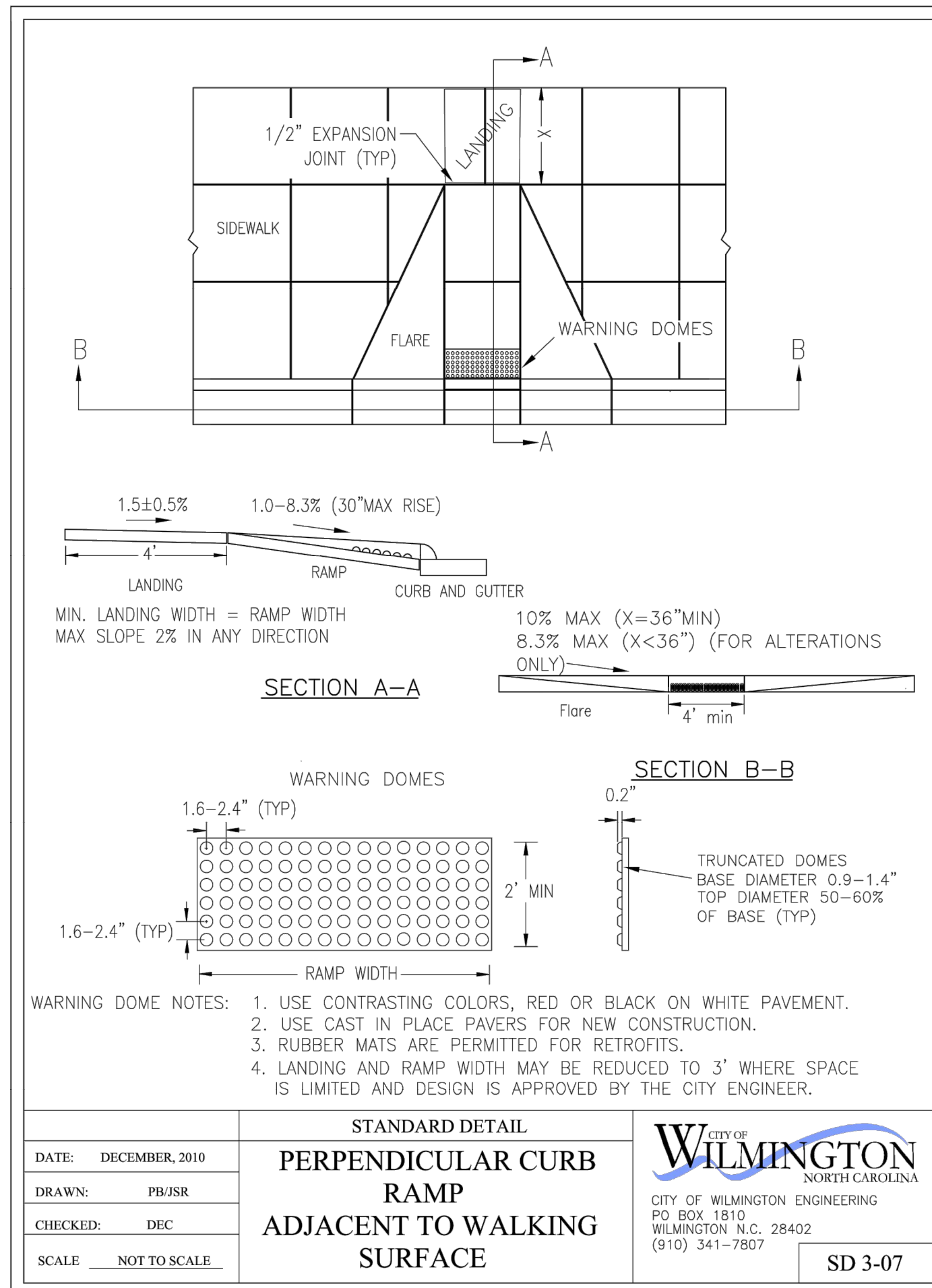
COOK OUT WILMINGTON

4195 MARKET STREET
WILMINGTON - NEW HANOVER COUNTY - NORTH CAROLINA

Scale: AS NOTED
Date: NOV. 2021
Drawn By: DLP
Checked By: HWSJ
Job No.: E-6815

Sheet No.

C-10



Summey Engineering Associates, PLLC
 Engineering - Land Planning - Consulting
 PO Box 968
 Asheville, NC 27204
 Phone: 336-324-0902 Fax: 336-324-0922
 E-mail: info@summeyengineering.com
 NC Professional Engineering Firm License No. P-09336

By:	
Description:	
No.:	
Date:	

ROAD DETAILS
 COOK OUT WILMINGTON
 4195 MARKET STREET
 WILMINGTON - NEW HANOVER COUNTY - NORTH CAROLINA

AS NOTED	NOV. 2021	DJP	HMSJ	E-6815
Date:		Drawn By:	Checked By:	Job No.:

Sheet No. C-11

6

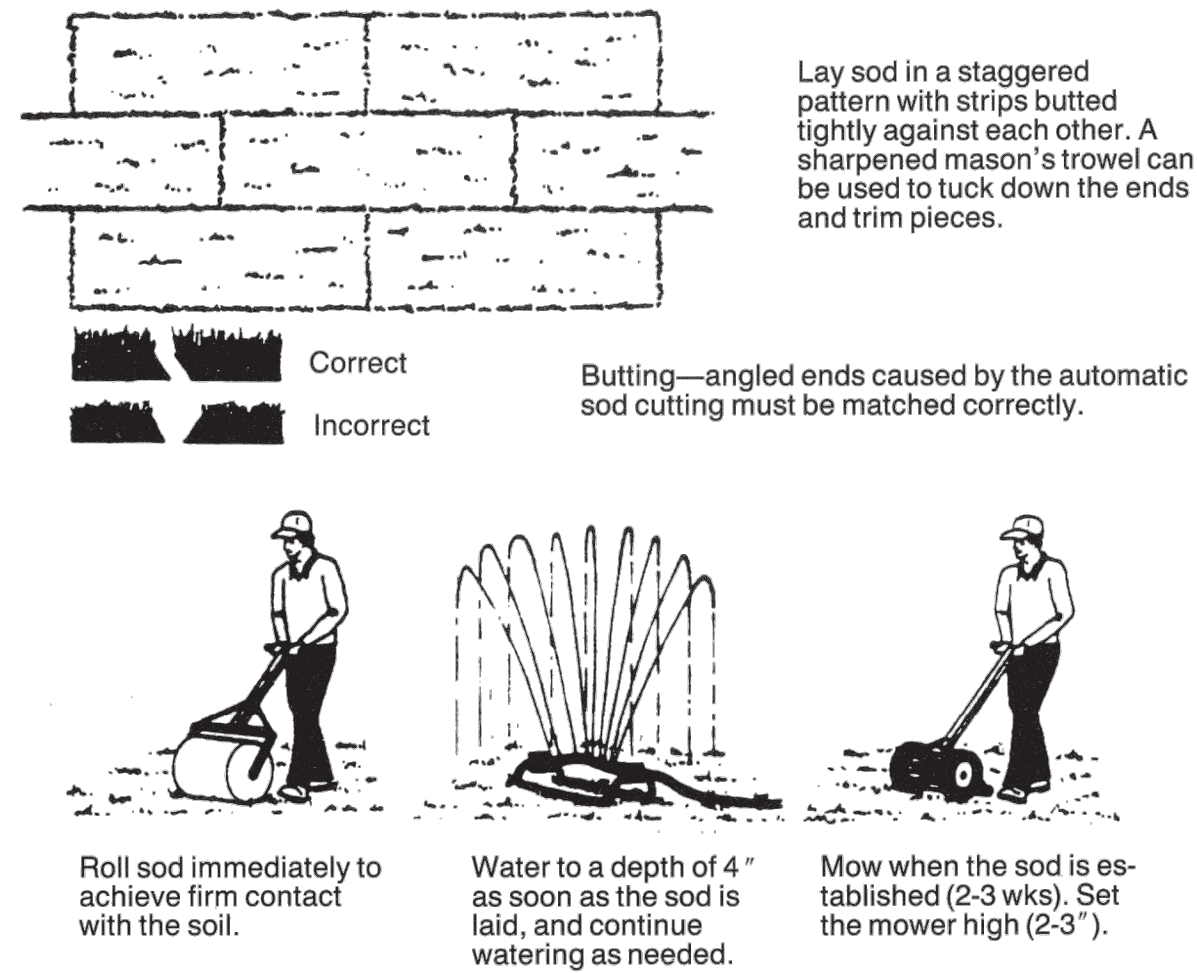


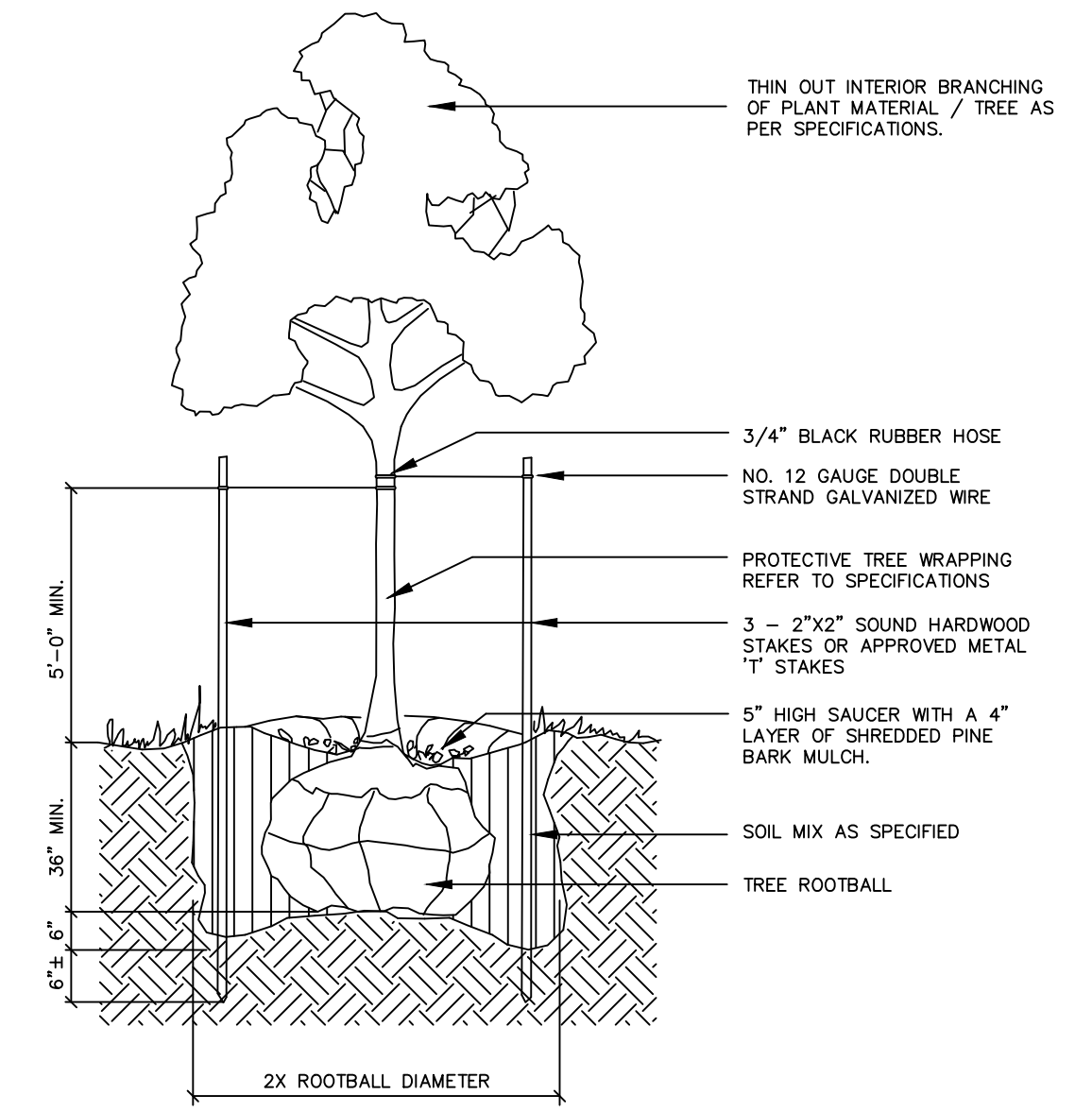
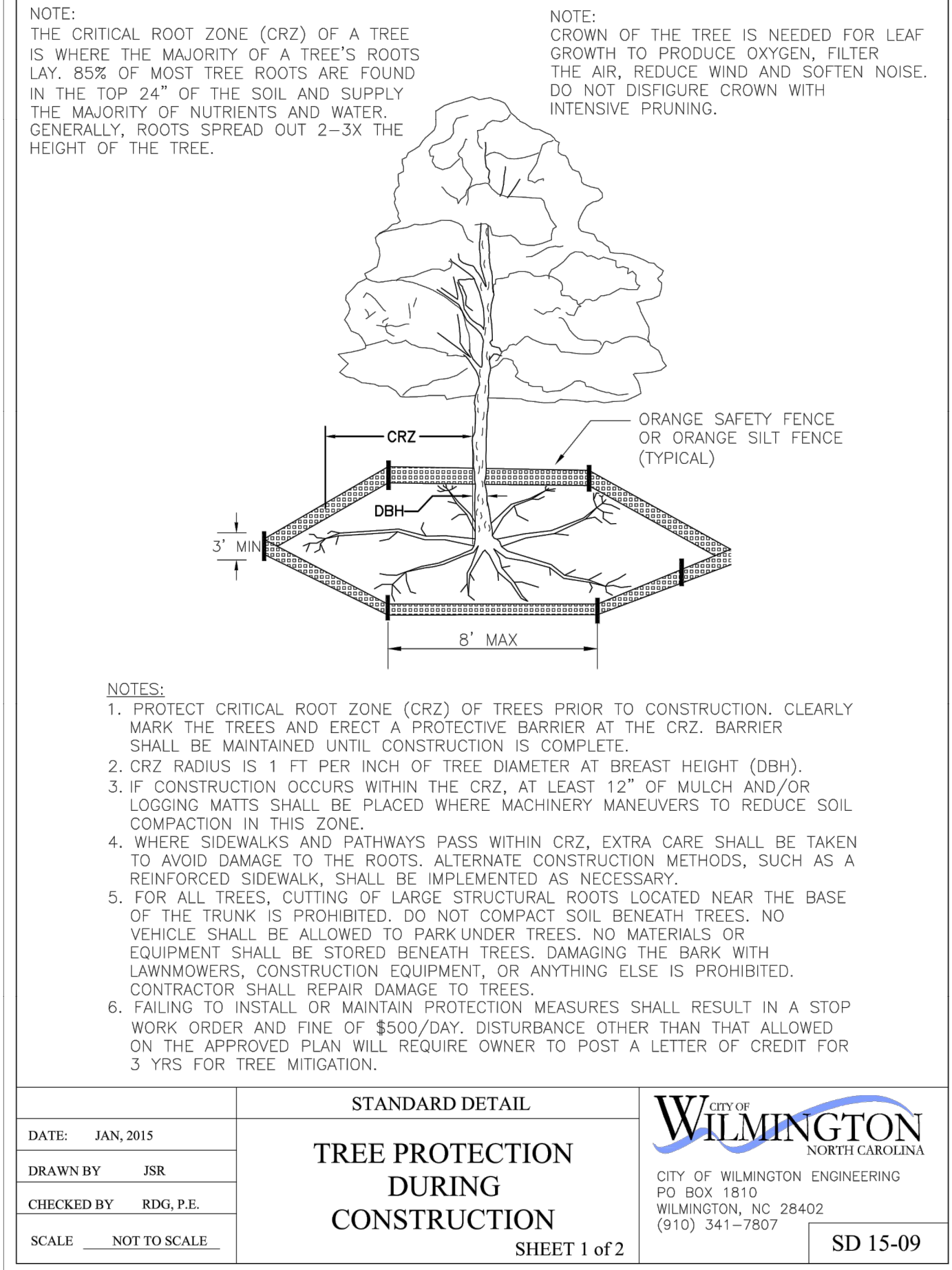
Figure 6.12a Proper installation of grass sod (modified from Va SWCC).

- Do not sod on gravel, frozen soils, or soils that have been treated recently with sterilants or herbicides.
- Lay the first row of sod in a straight line with subsequent rows placed parallel to and butting tightly against each other. Stagger strips in a brick-like pattern. Be sure that the sod is not stretched or overlapped and that all joints are butted tightly to prevent voids. Use a knife or sharp spade to trim and fit irregularly shaped areas.
- Install strips of sod with their longest dimension perpendicular to the slope. On slopes 3:1 or greater, or wherever erosion may be a problem, secure sod with pegs or staples.
- As sodding of clearly defined areas is completed, roll sod to provide firm contact between roots and soil.
- After rolling, irrigate until the soil is wet 4 inches below the sod.

6.12.4

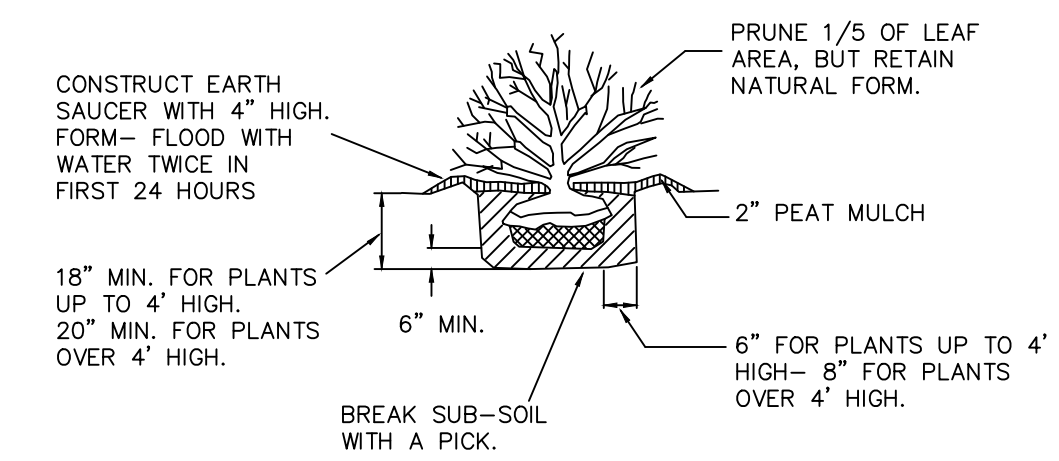
TYPICAL SODDING DETAIL

NTS



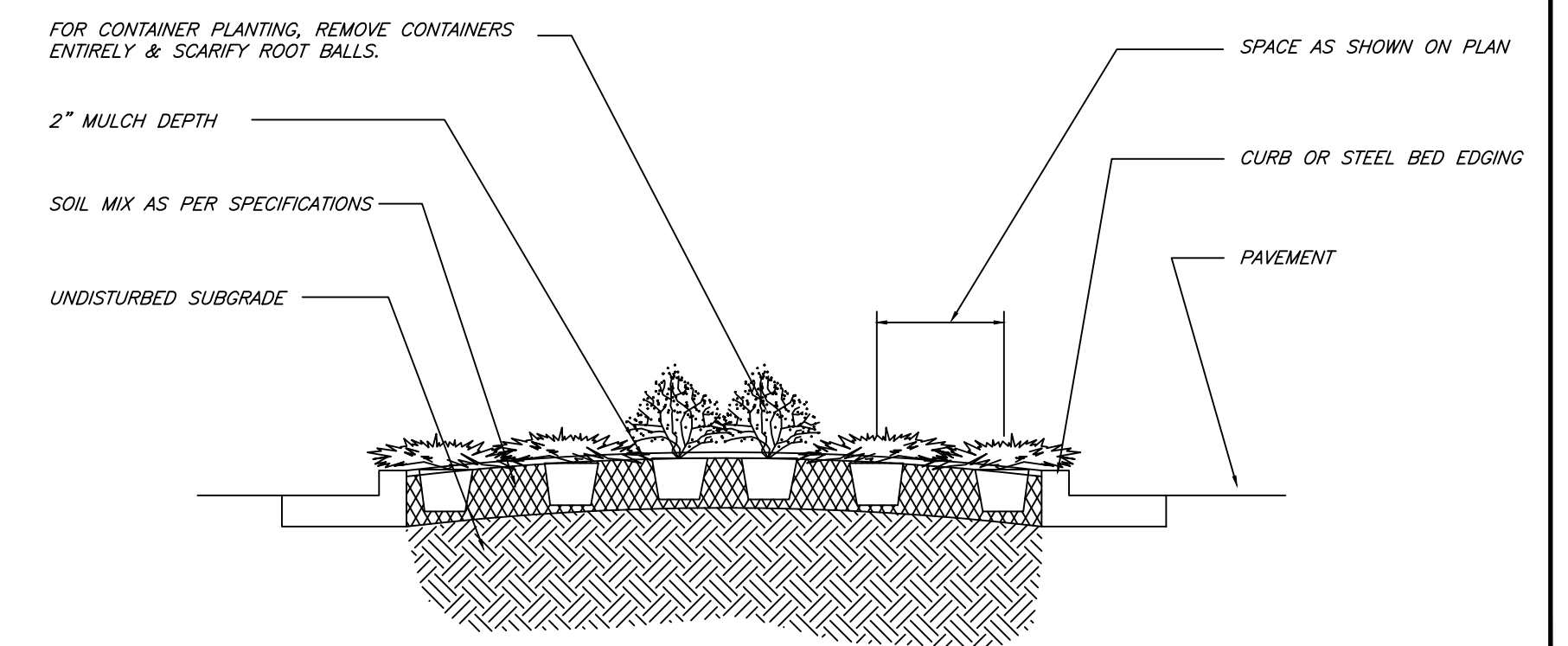
TYPICAL TREE PLANTING

N.T.S.



SHRUB PLANTING DETAIL

N.T.S.



TYPICAL SECTION - SHRUB PLANTING

NOT TO SCALE

- No plantings over thirty (30) inches in height allowed in vision clearance.
 - Protection from vehicular traffic provided around all landscaping with a minimum height of six (6) inches.
 - Owner is responsible for maintenance to ensure plant material lives and prospers.
 - Planting plans shall be approved by Landscape Designer prior to installation.
 - Landscaping shall be required at the ends of all parking rows.
 - A low buffer shall be required where parking is within fifty (50) feet of the Right-of-Way.
 - Landscaped islands shall be a minimum width of twelve (12) feet (back of curb to back of curb) and a minimum of two hundred and sixteen (216) square feet.
 - A minimum of fifteen (15) trees 2 inches or greater in diameter as measured 6 inches above ground per disturbed acre.
 - For recommended Plant List see "Landscape" T-10.4.
- | | | |
|-----------------|--------------|---|
| STANDARD DETAIL | | <p>CITY OF WILMINGTON ENGINEERING
PO BOX 1810
WILMINGTON, NC 28402
(910) 341-7807</p> |
| DATE: | APRIL, 2008 | |
| DRAWN BY: | JSR | |
| CHECKED BY: | B.P., P.E. | |
| SCALE: | NOT TO SCALE | |
| LANDSCAPE NOTES | | SD 15-14 |



Summey Engineering Associates, PLLC
Engineering - Land Planning - Consulting

PO Box 968
Asheboro, NC 27204
Phone: 336-324-0902 Fax: 336-324-0922
E-mail: info@summeyengineering.com
NC Professional Engineering Firm License No. P-0336

By: _____
Description: _____
Date: _____
No. _____

LANDSCAPE DETAILS

COOK OUT WILMINGTON

4195 MARKET STREET
WILMINGTON - NEW HANOVER COUNTY - NORTH CAROLINA

Scale: AS NOTED
Date: NOV. 2021
Drawn By: DLP
Checked By: HMSJ
Job No.: E-6815

Sheet No.

C-12